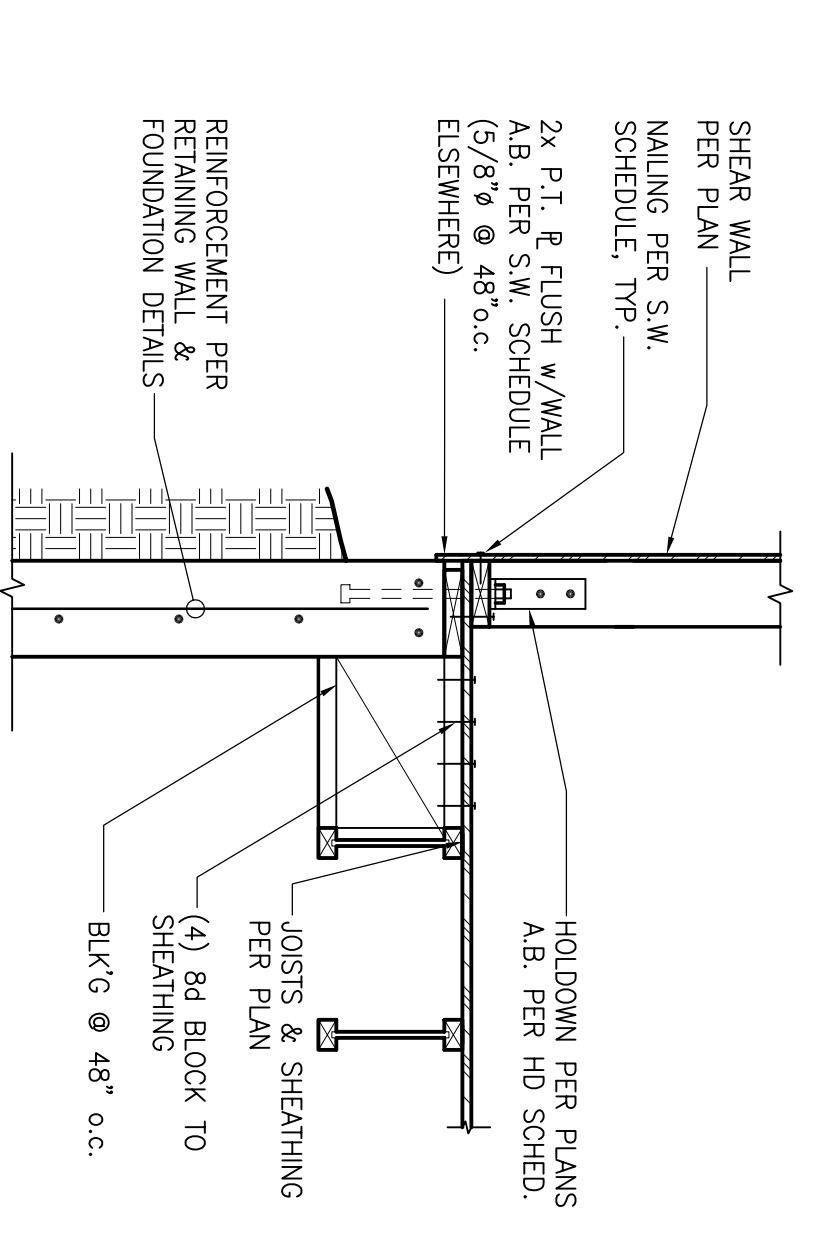
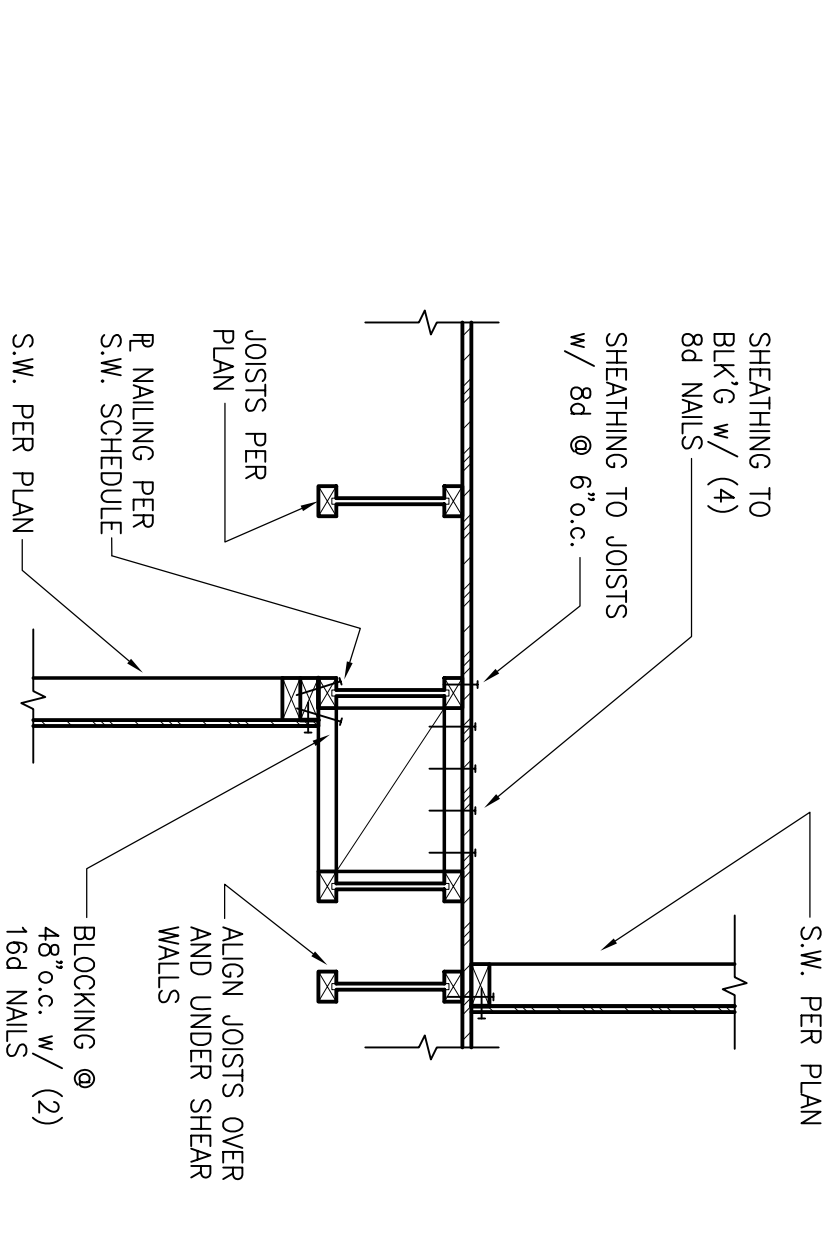


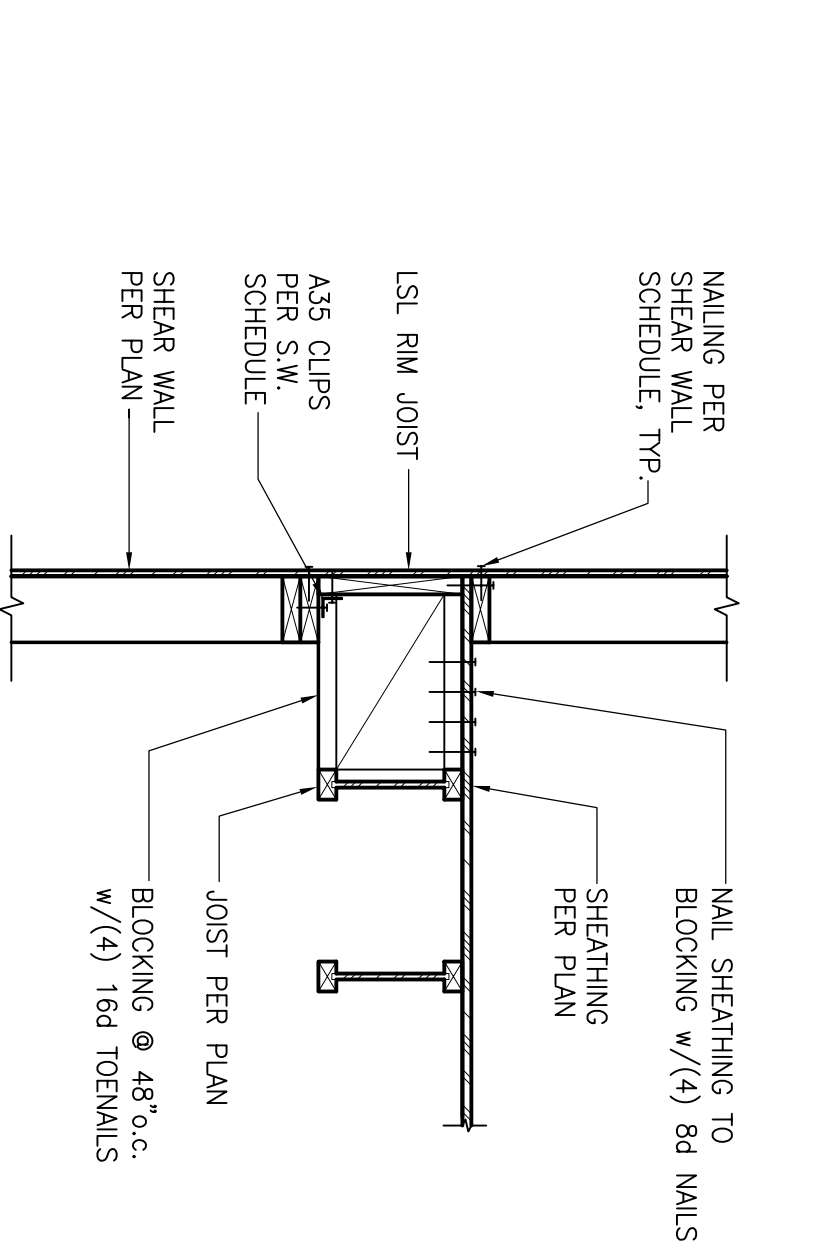
1 T/I PARALLEL FLUSH STEM WALL
SCALE = 3/4" = 1'-0"



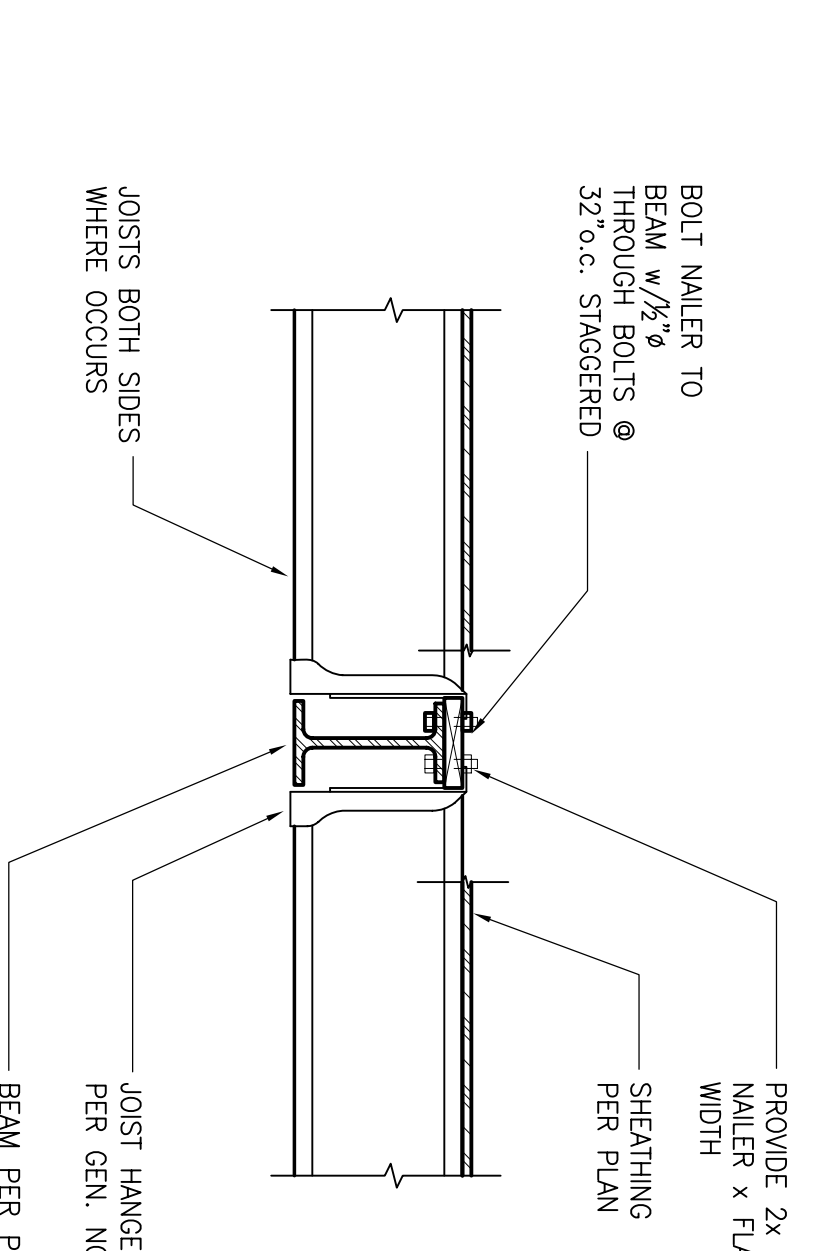
2 T/I PARALLEL TOP OF WALL
SCALE = 3/4" = 1'-0"



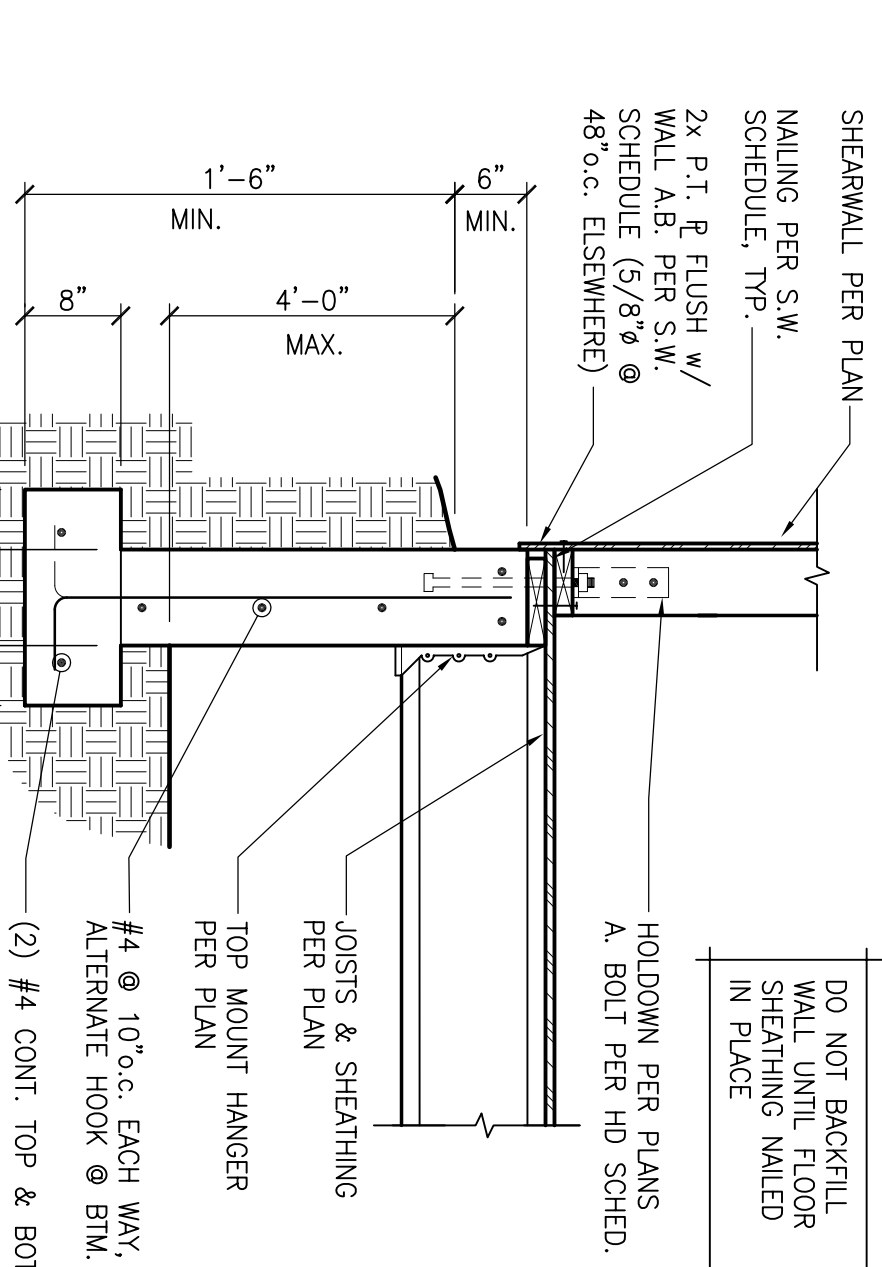
3 T/I PARALLEL OFFSET SHEAR WALL
SCALE = 3/4" = 1'-0"



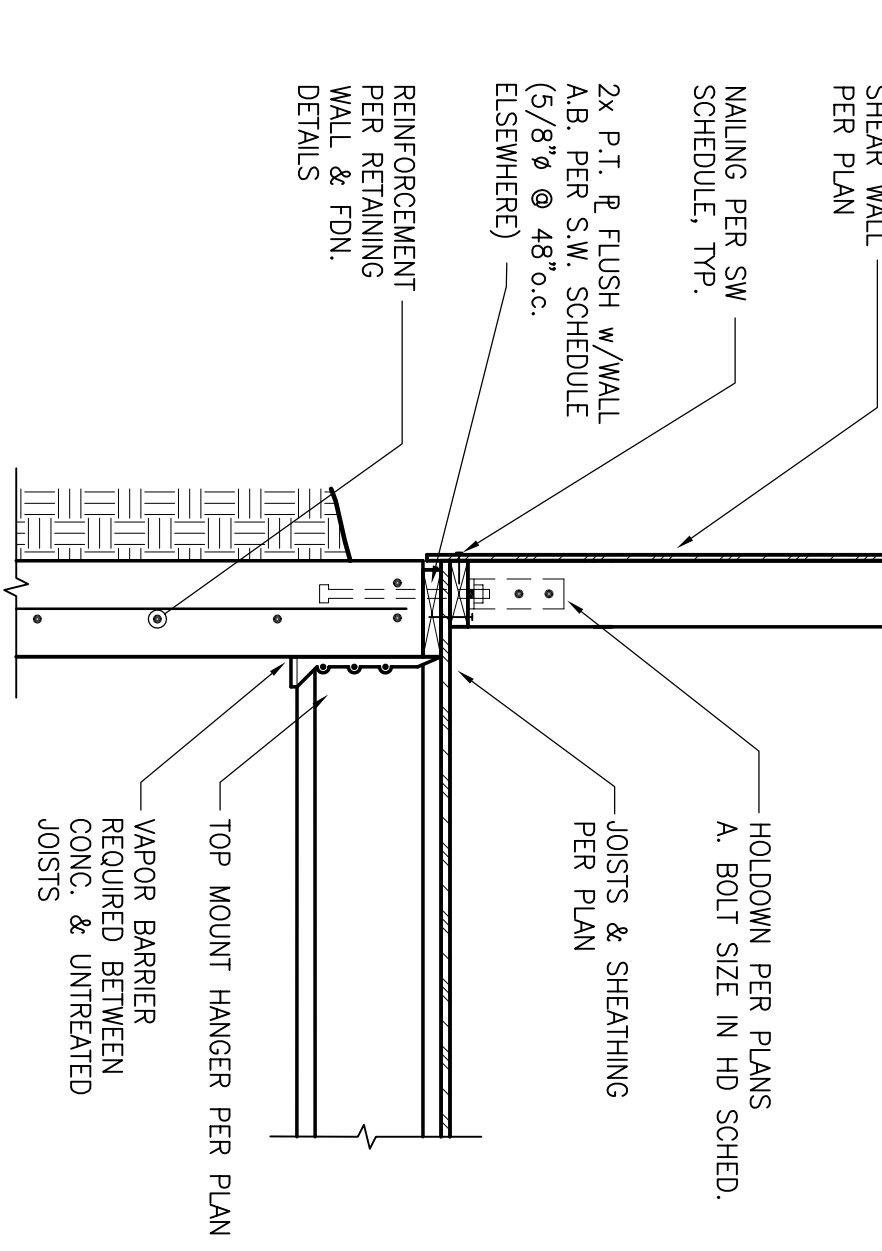
4 T/I PARALLEL FLOOR
SCALE = 3/4" = 1'-0"



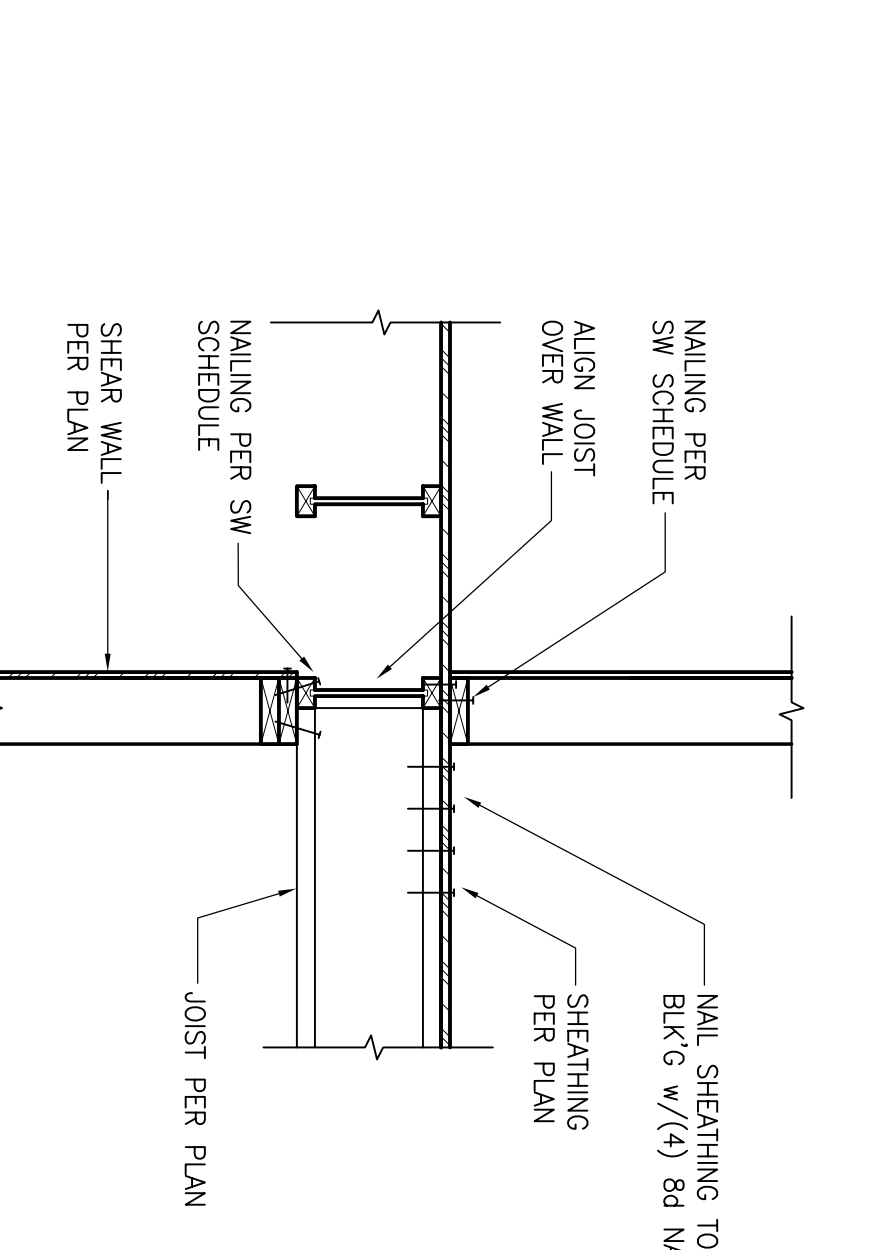
5 T/I FLUSH STEEL BEAM
SCALE = 3/4" = 1'-0"



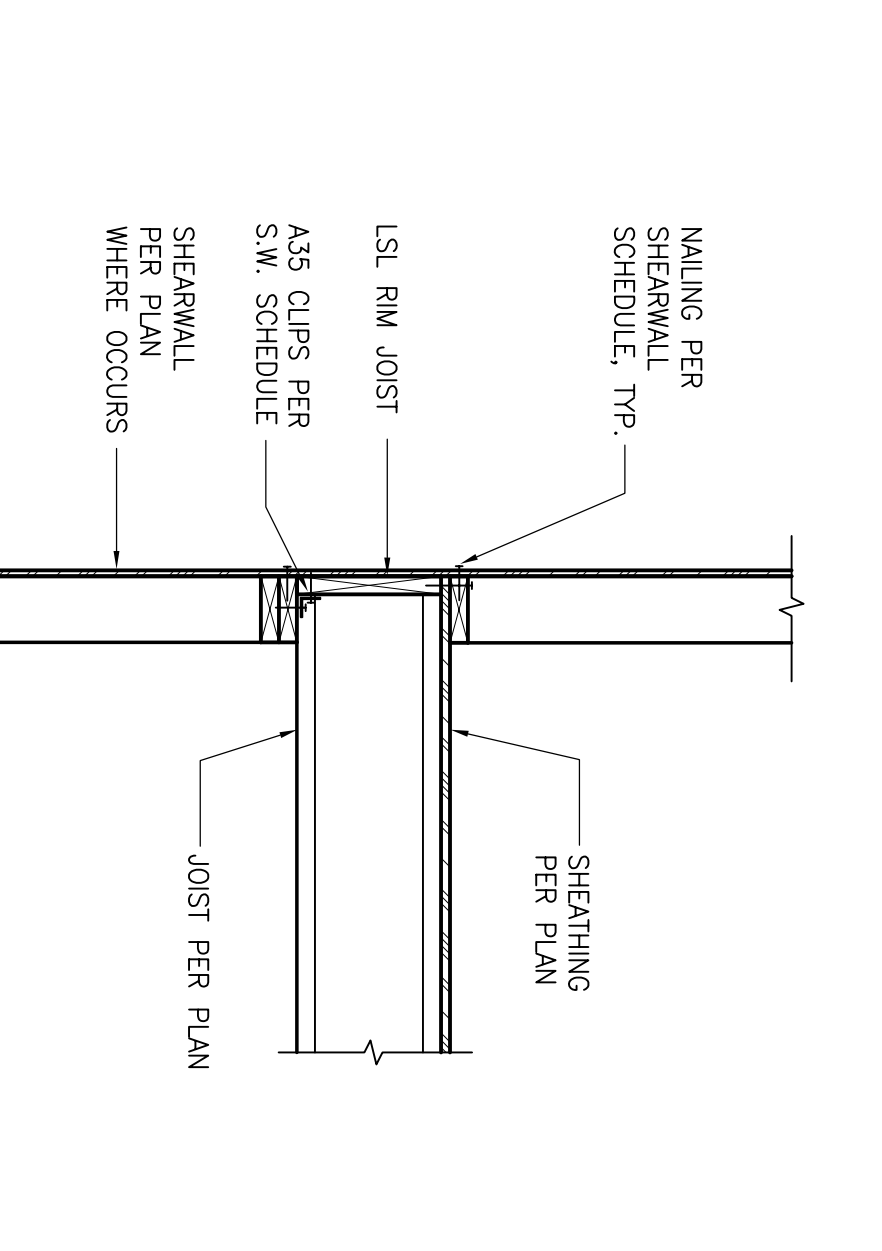
6 T/I PERPENDICULAR FLUSH STEM WALL
SCALE = 3/4" = 1'-0"



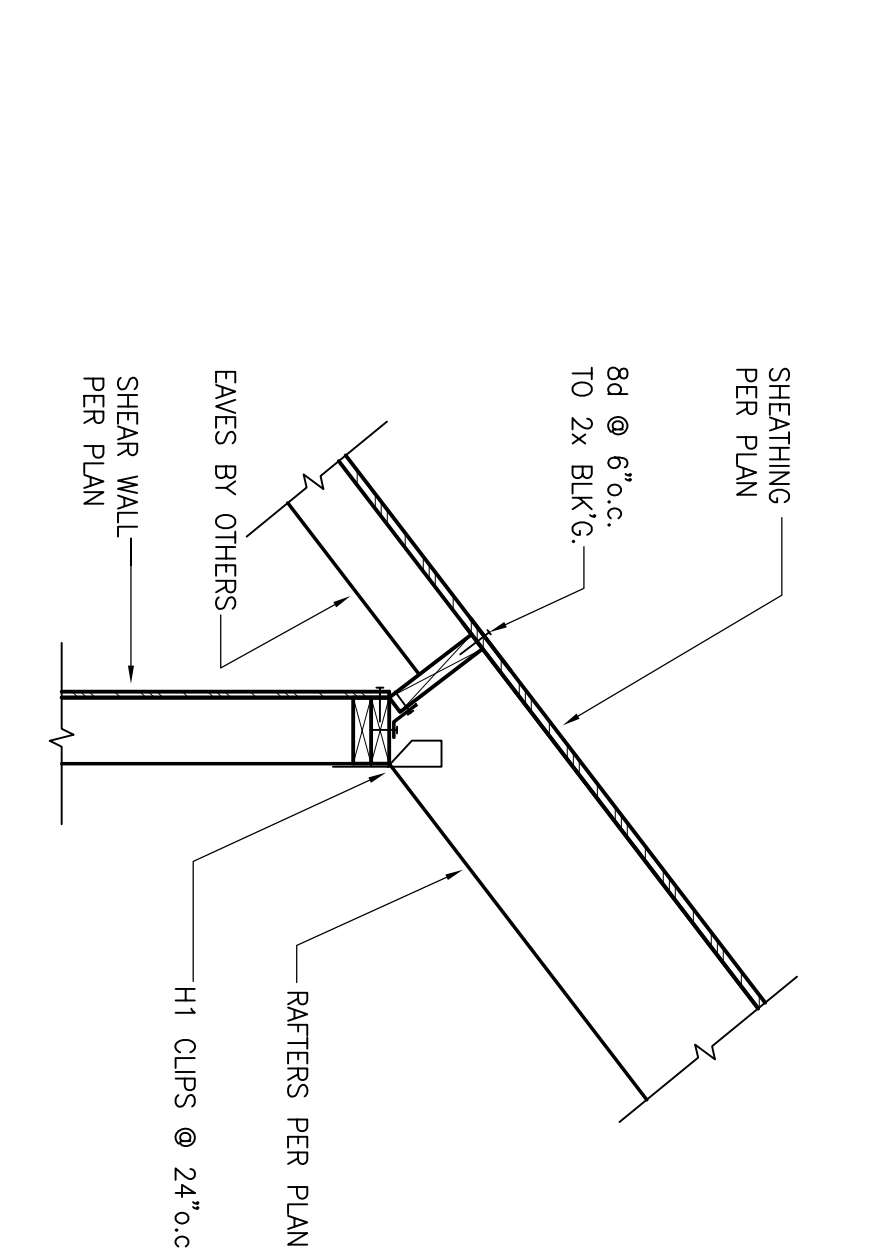
7 T/I PERPENDICULAR TOP OF WALL
SCALE = 3/4" = 1'-0"



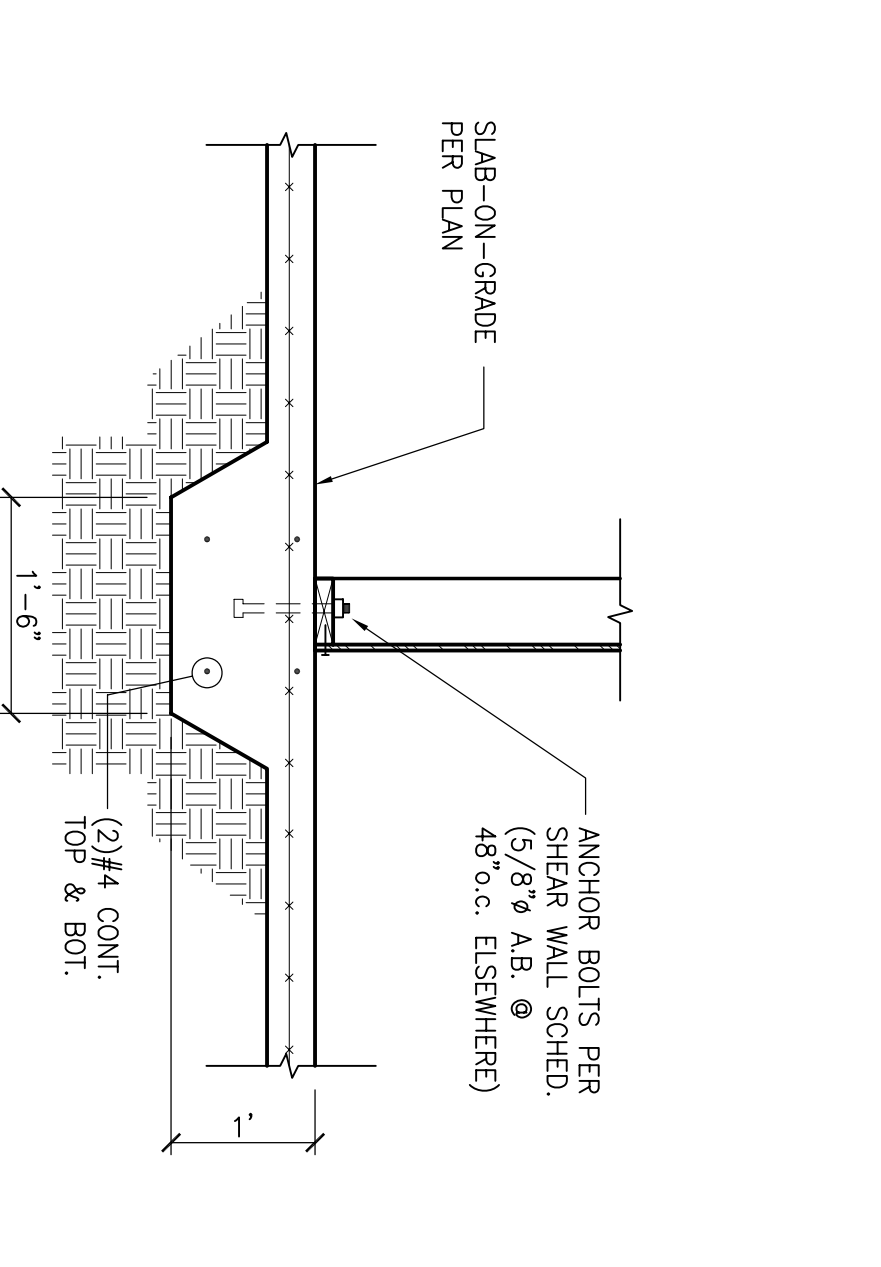
8 T/I PERPENDICULAR INT. S.W.
SCALE = 3/4" = 1'-0"



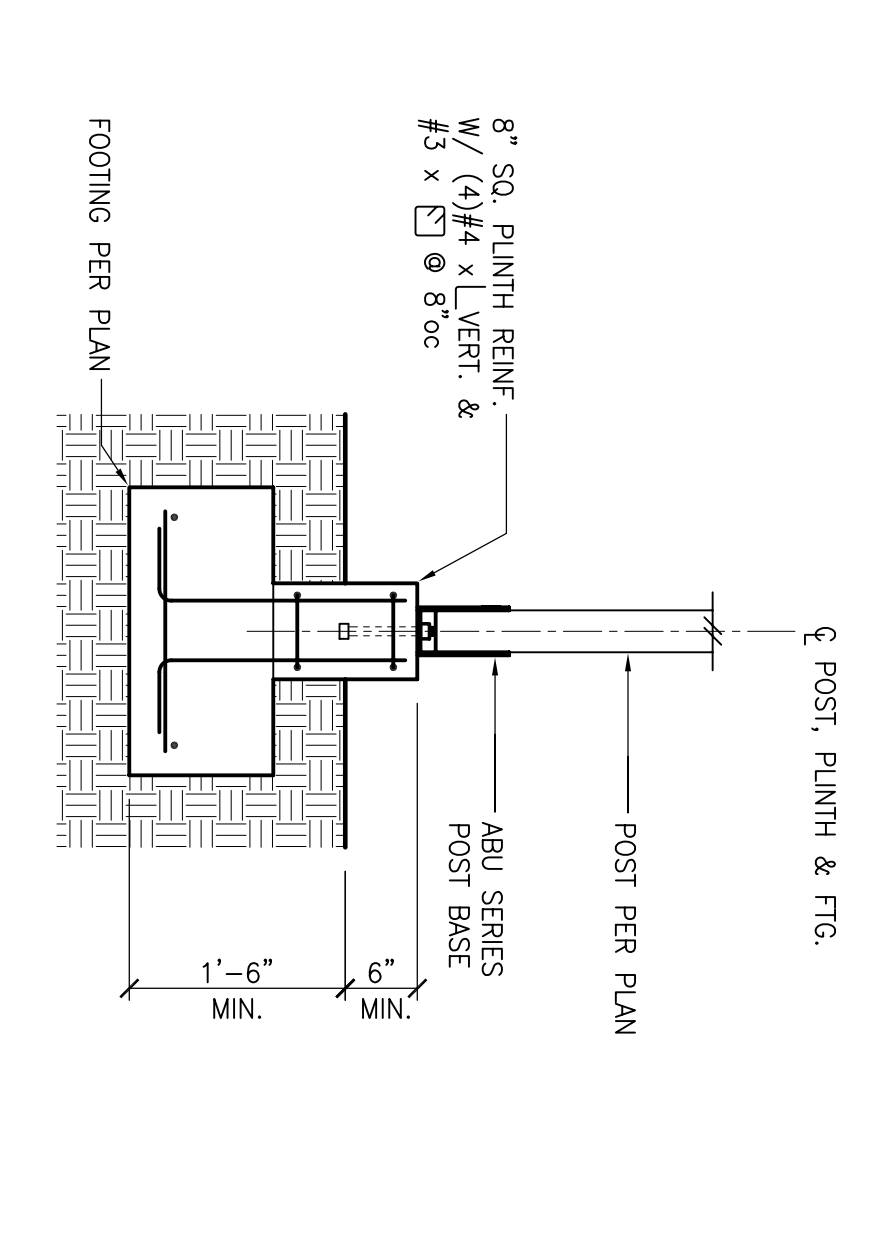
9 T/I PERPENDICULAR FLOOR
SCALE = 3/4" = 1'-0"



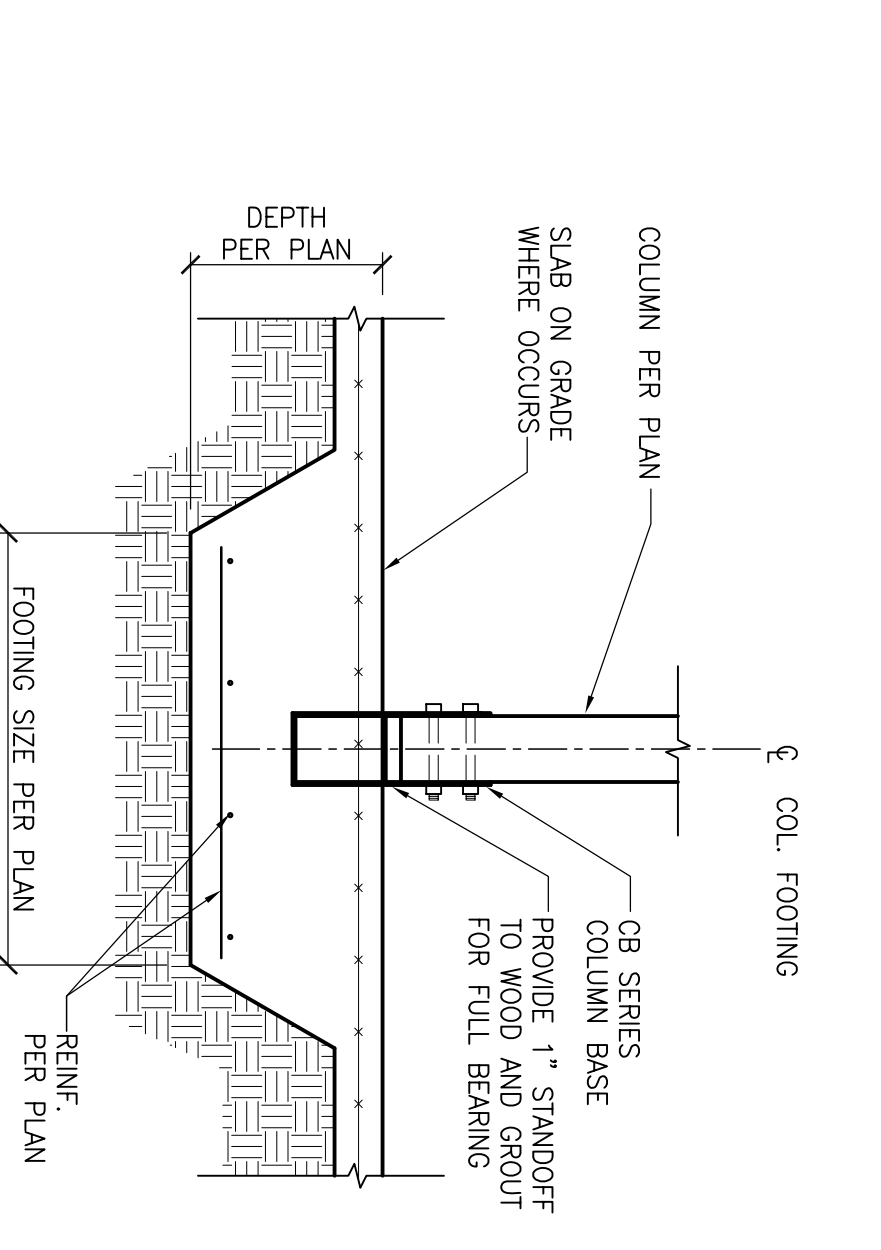
10 2x RAFTER PERPENDICULAR
SCALE = 3/4" = 1'-0"



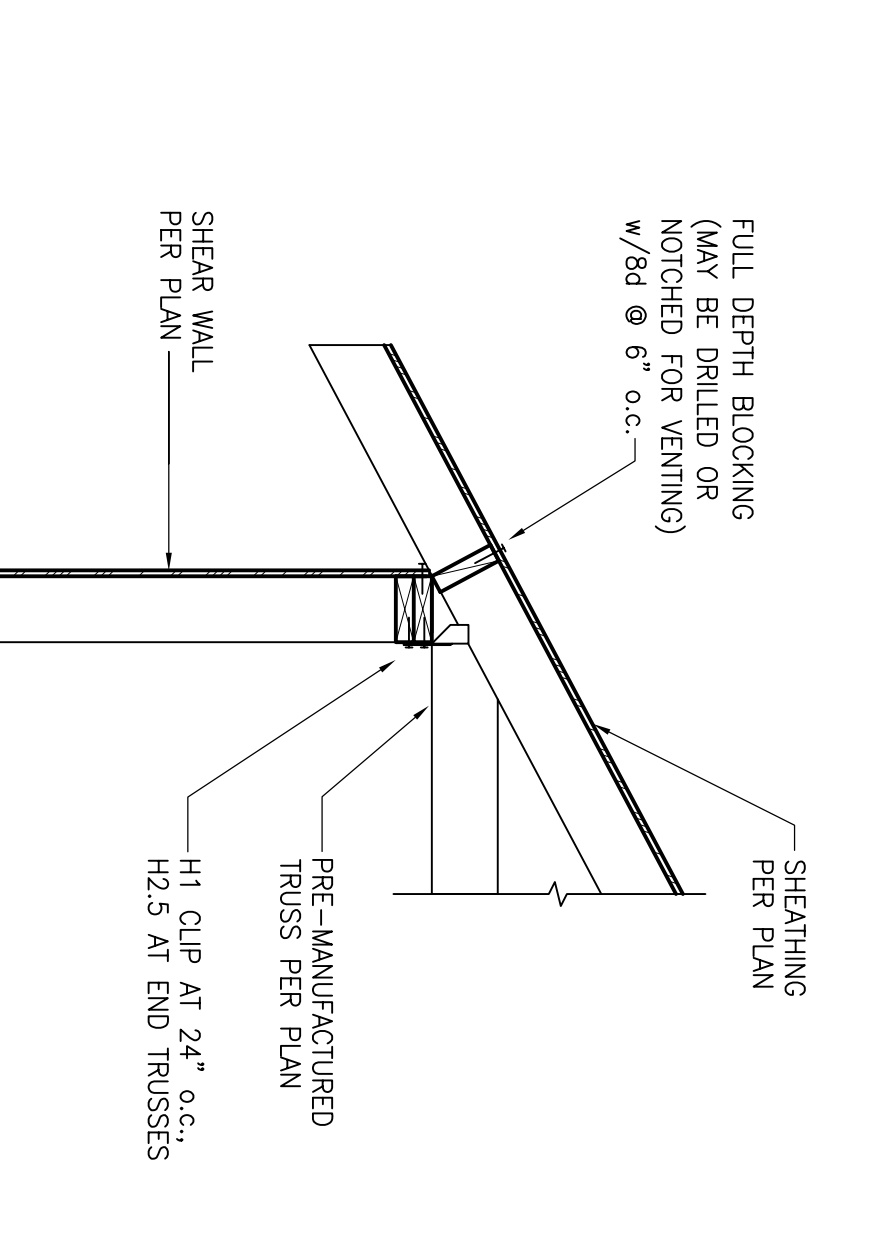
11 THICKENED SLAB
SCALE = 3/4" = 1'-0"



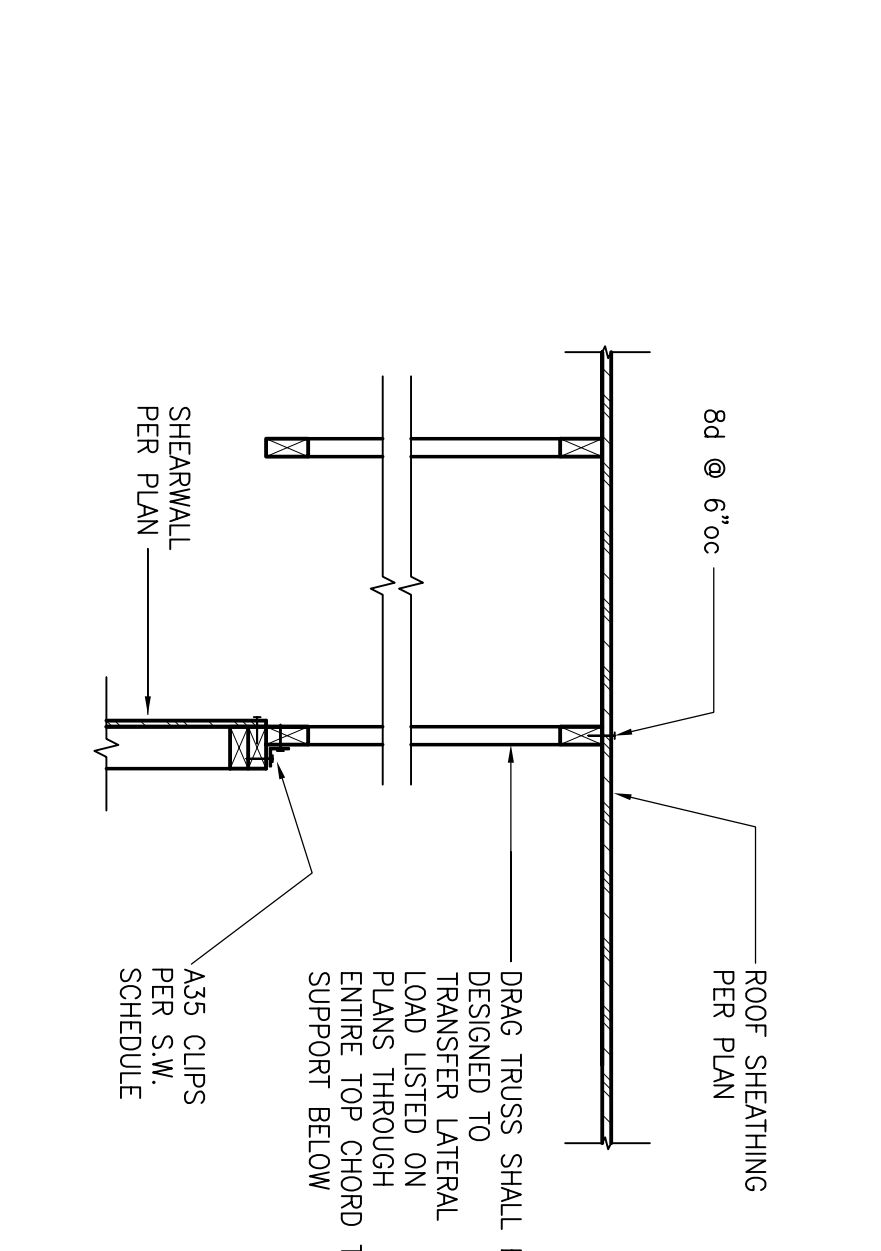
12 POST FOOTING
SCALE = 3/4" = 1'-0"



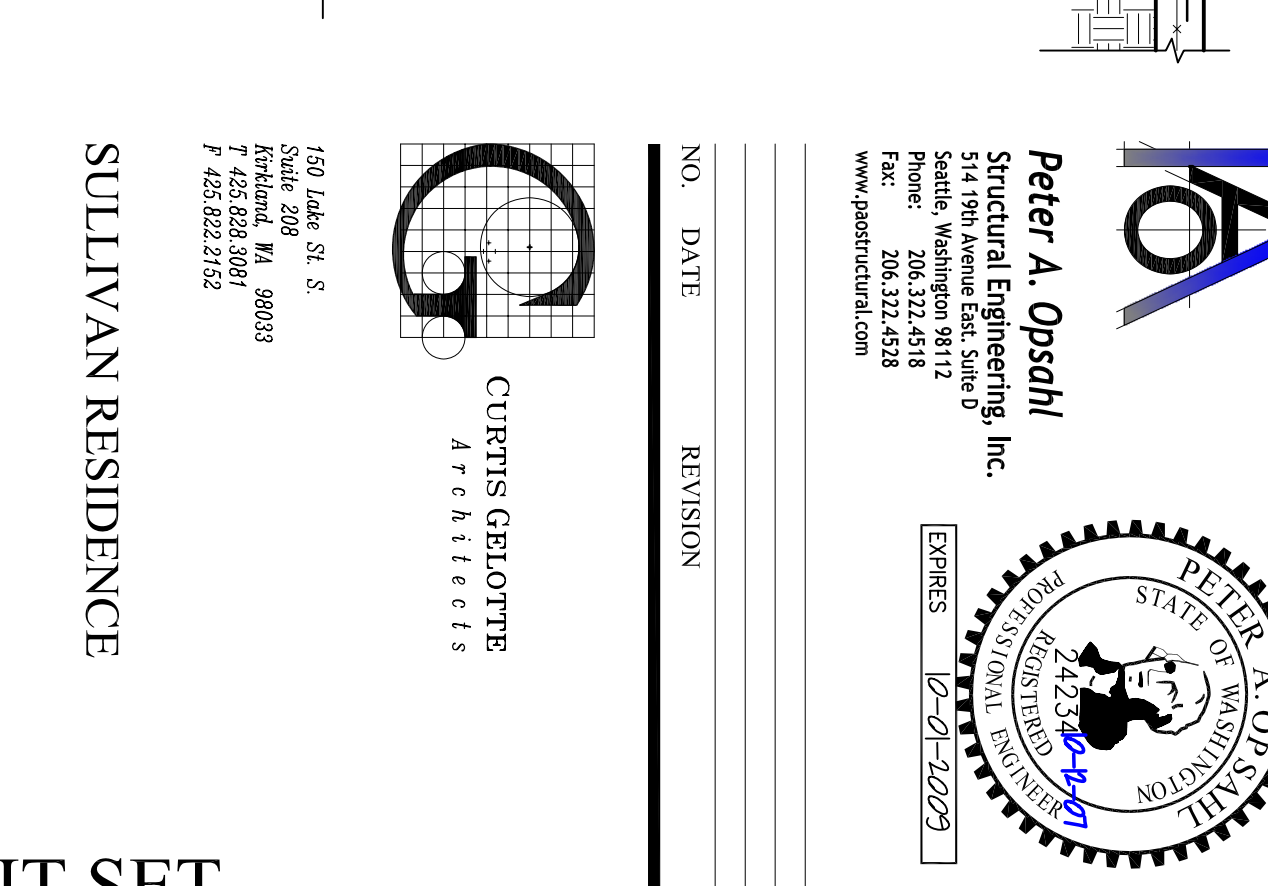
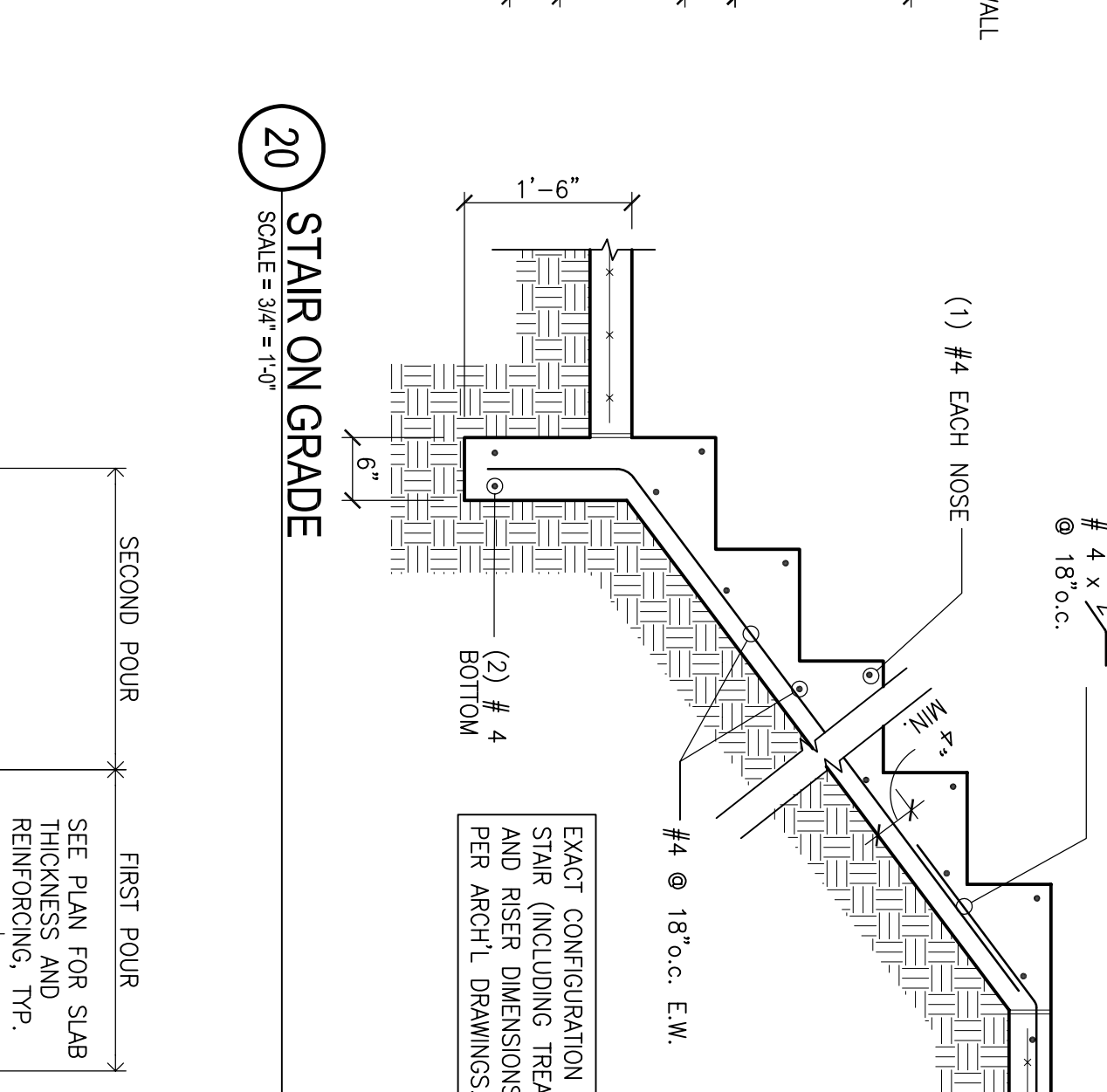
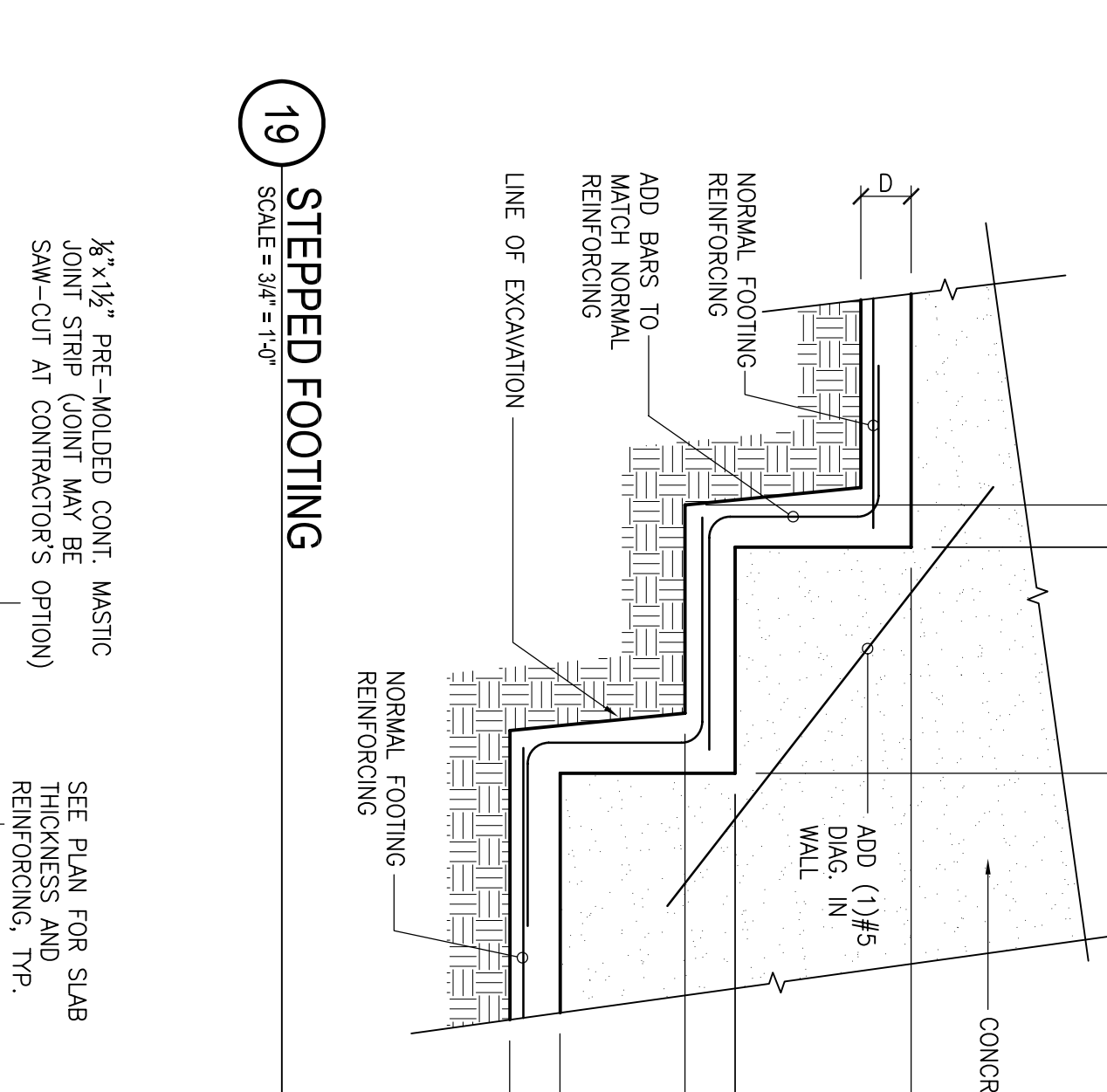
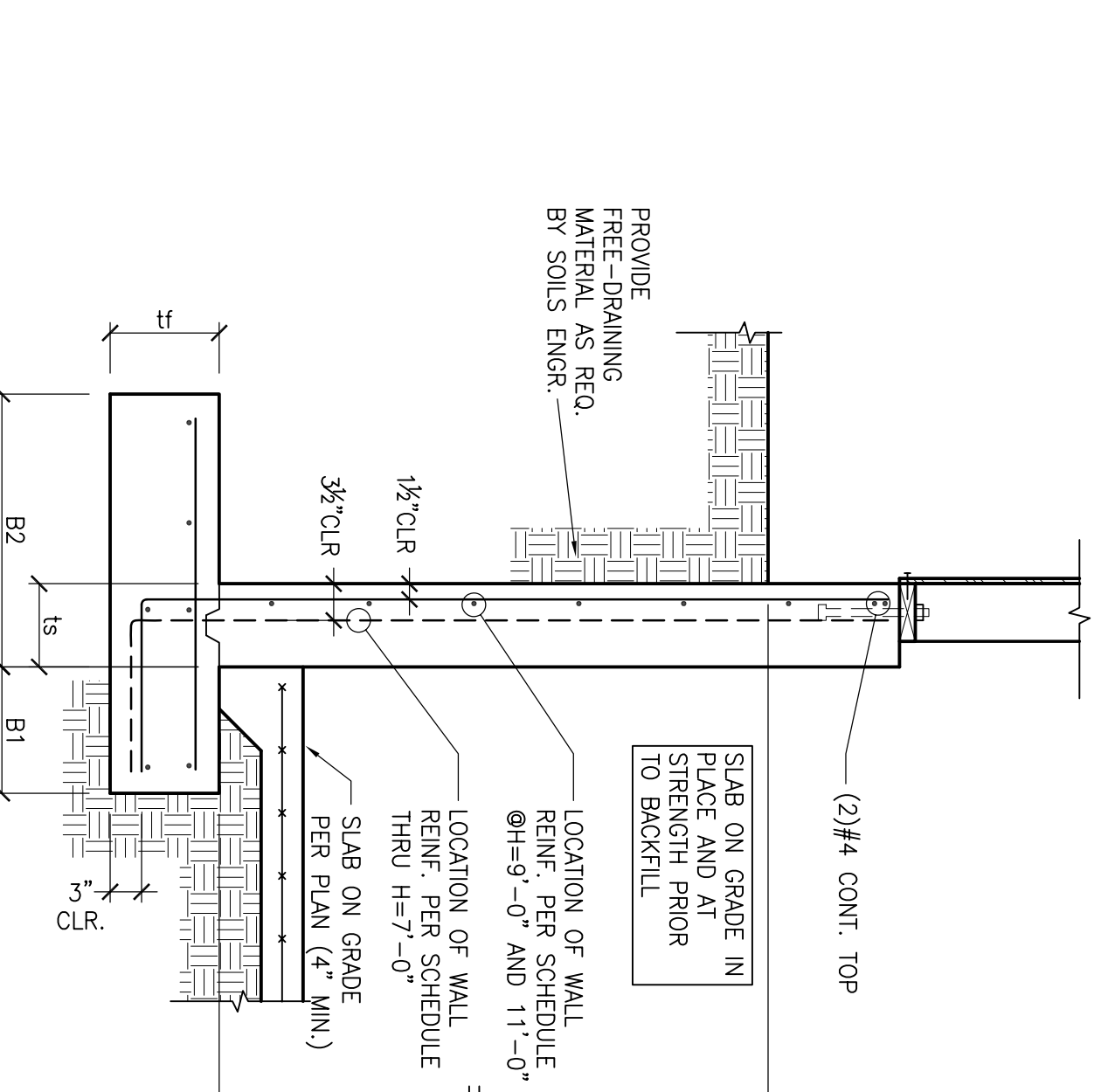
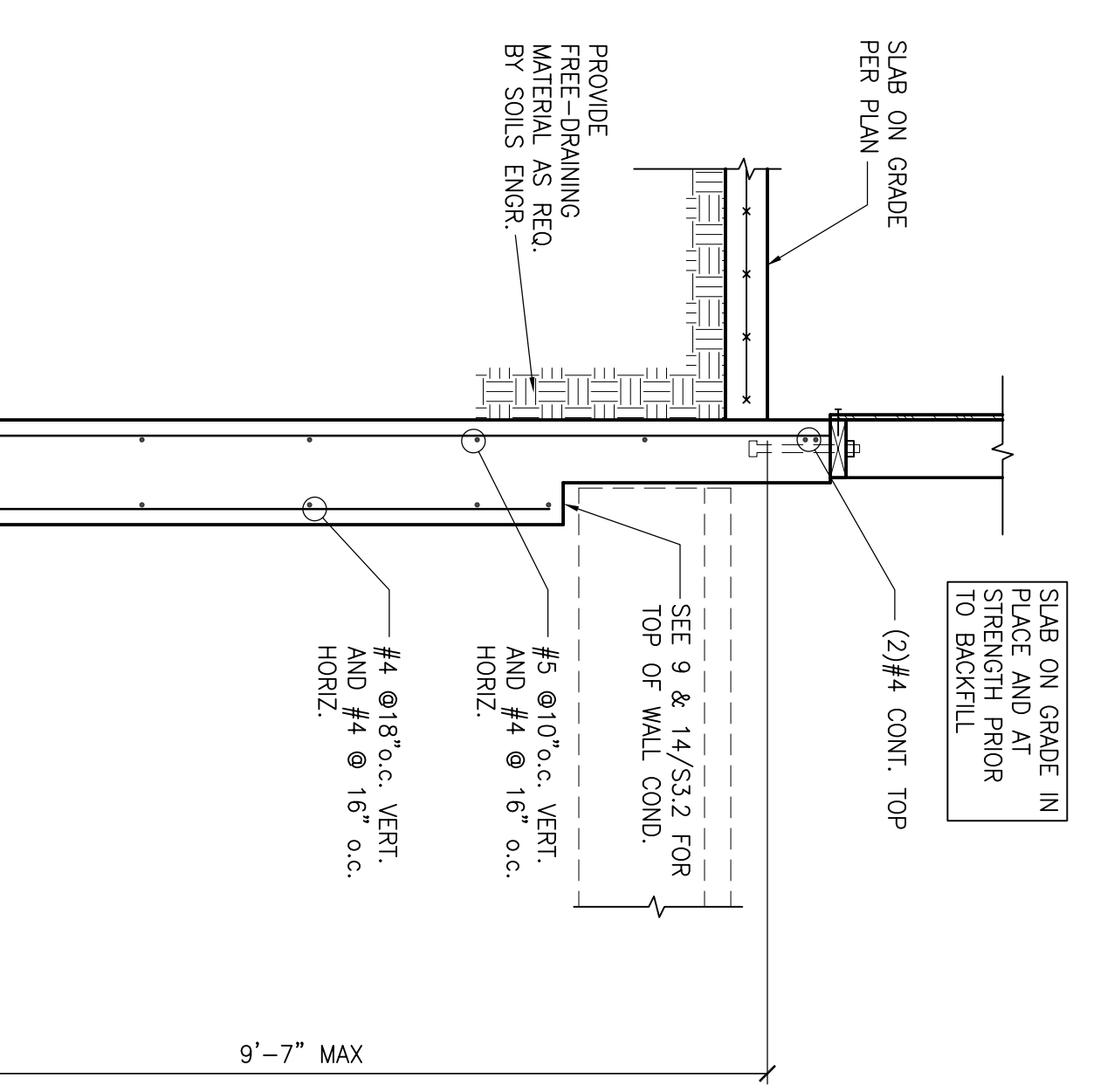
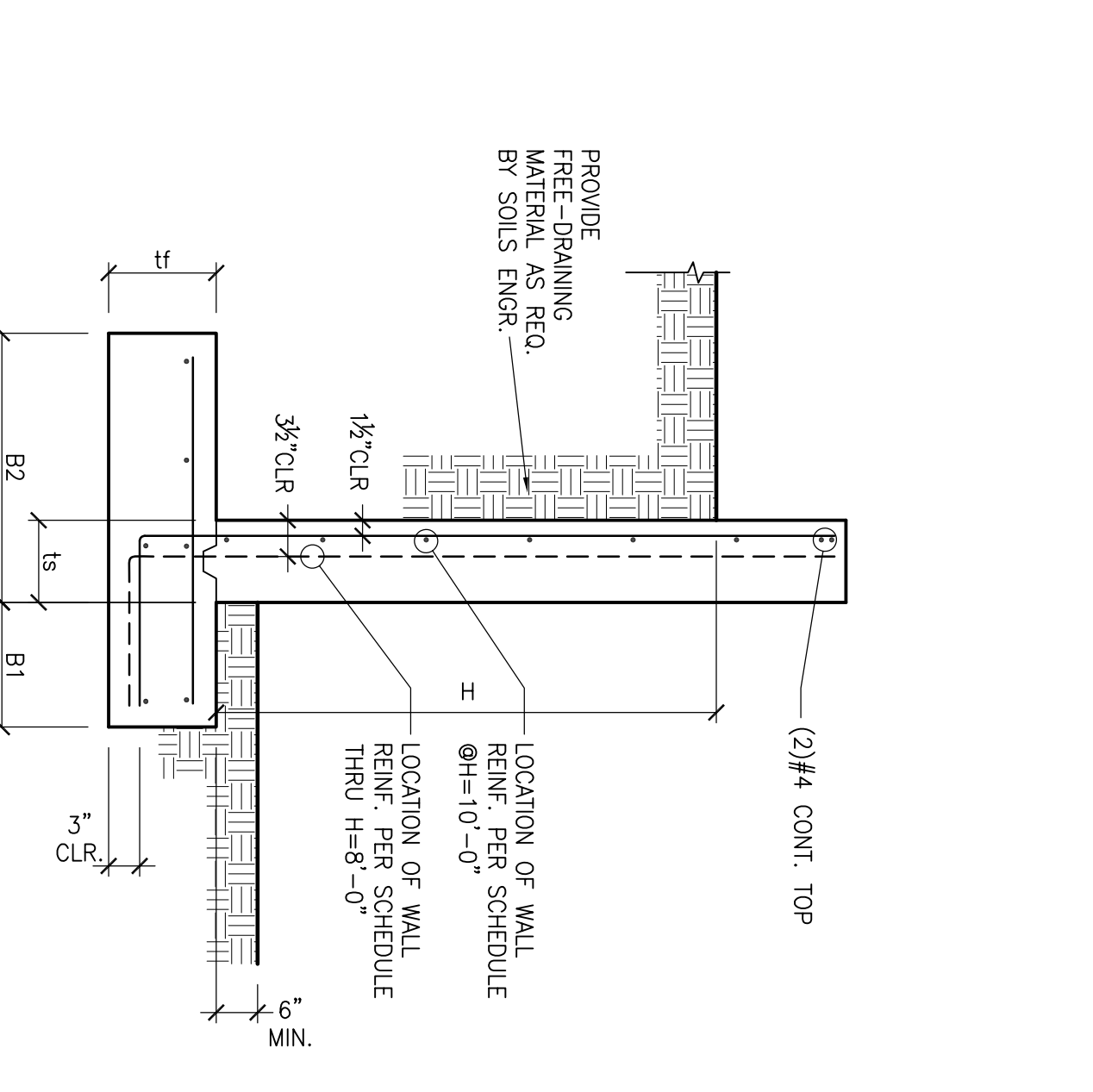
13 THICKENED SLAB POST FOOTING
SCALE = 3/4" = 1'-0"



14 TRUSS PERPENDICULAR
SCALE = 3/4" = 1'-0"



15 TRUSS DRAG
SCALE = 3/4" = 1'-0"



RETAINING WALL SCHEDULE					
H (FT.)	B1	B2	H	VERT. REINFORCING	FOOTING REINFORCING
4'-0"	6"	8"	1'-2"	9" #4@12"	#4@18" (2) #4
6'-0"	9"	8"	1'-9"	9" #4@12"	#4@18" (3) #4
8'-0"	11"	8"	2'-10"	9" #4@9"	#4@18" (5) #4
10'-0"	1'-5"	8"	3'-10"	9" #5@9"	#4@12" #4@15" (6) #5

RETAINING WALL SCHEDULE					
H (FT.)	B1	B2	H	VERT. REINFORCING	FOOTING REINFORCING
3'-0"	8"	8"	1'-0"	9" #4@10"	#4@18" (2) #4
5'-0"	1'-0"	8"	1'-4"	9" #4@10"	#4@18" (3) #4
7'-0"	1'-8"	8"	1'-8"	9" #4@10"	#4@18" (5) #4
9'-0"	2'-9"	8"	1'-4"	12" #5@9"	#4@10" #4@18" (6) #5
11'-0"	4'-0"	8"	1'-4"	14" #5@9"	#4@10" #4@18" (6) #5

RETAINING WALL SCHEDULE					
H (FT.)	B1	B2	H	VERT. REINFORCING	FOOTING REINFORCING
3'-0"	8"	8"	1'-0"	9" #4@10"	#4@18" (2) #4
5'-0"	1'-0"	8"	1'-4"	9" #4@10"	#4@18" (3) #4
7'-0"	1'-8"	8"	1'-8"	9" #4@10"	#4@18" (5) #4
9'-0"	2'-9"	8"	1'-4"	12" #5@9"	#4@10" #4@18" (6) #5
11'-0"	4'-0"	8"	1'-4"	14" #5@9"	#4@10" #4@18" (6) #5

RETAINING WALL SCHEDULE					
H (FT.)	B1	B2	H	VERT. REINFORCING	FOOTING REINFORCING
3'-0"	8"	8"	1'-0"	9" #4@10"	#4@18" (2) #4
5'-0"	1'-0"	8"	1'-4"	9" #4@10"	#4@18" (3) #4
7'-0"	1'-8"	8"	1'-8"	9" #4@10"	#4@18" (5) #4
9'-0"	2'-9"	8"	1'-4"	12" #5@9"	#4@10" #4@18" (6) #5
11'-0"	4'-0"	8"	1'-4"	14" #5@9"	#4@10" #4@18" (6) #5

RETAINING WALL SCHEDULE					
H (FT.)	B1	B2	H	VERT. REINFORCING	FOOTING REINFORCING
3'-0"	8"	8"	1'-0"	9" #4@10"	#4@18" (2) #4
5'-0"	1'-0"	8"	1'-4"	9" #4@10"	#4@18" (3) #4
7'-0"	1'-8"	8"	1'-8"	9" #4@10"	#4@18" (5) #4
9'-0"	2'-9"	8"	1'-4"	12" #5@9"	#4@10" #4@18" (6) #5
11'-0"	4'-0"	8"	1'-4"	14" #5@9"	#4@10" #4@18" (6) #5

21 SITE RETAINING WALL SCHEDULE
SCALE = 3/4" = 1'-0"

22 RETAINING WALL @ GARAGE
SCALE = 3/4" = 1'-0"

23 RETAINING WALL SCHEDULE W/ SLAB
SCALE = 3/4" = 1'-0"

29 EXPANSION JOINT DETAIL
SCALE = 3/4" = 1'-0"

20 STAIR ON GRADE
SCALE = 3/4" = 1'-0"

21 SITE RETAINING WALL SCHEDULE
SCALE = 3/4" = 1'-0"

Peter A. Opsahl
Structural Engineering, Inc.
199 Lake St. S.
Cortez, Colorado 81301
Phone: 303-332-4518
Fax: 303-332-4519
www.peteropsahl.com

REGISTERED PROFESSIONAL ENGINEER
STATE OF COLORADO
NO. 21207

NO. DATE REVISION

CURTIS GELLOTTE
ARCHITECTS

