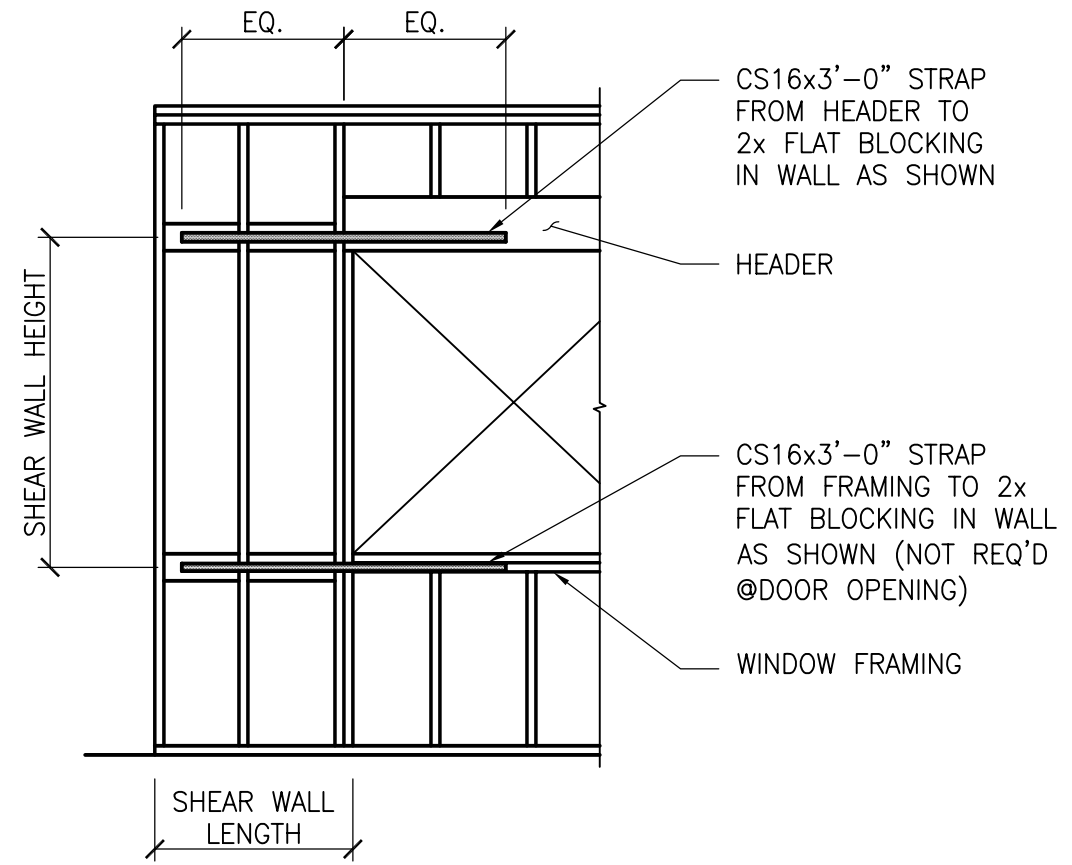
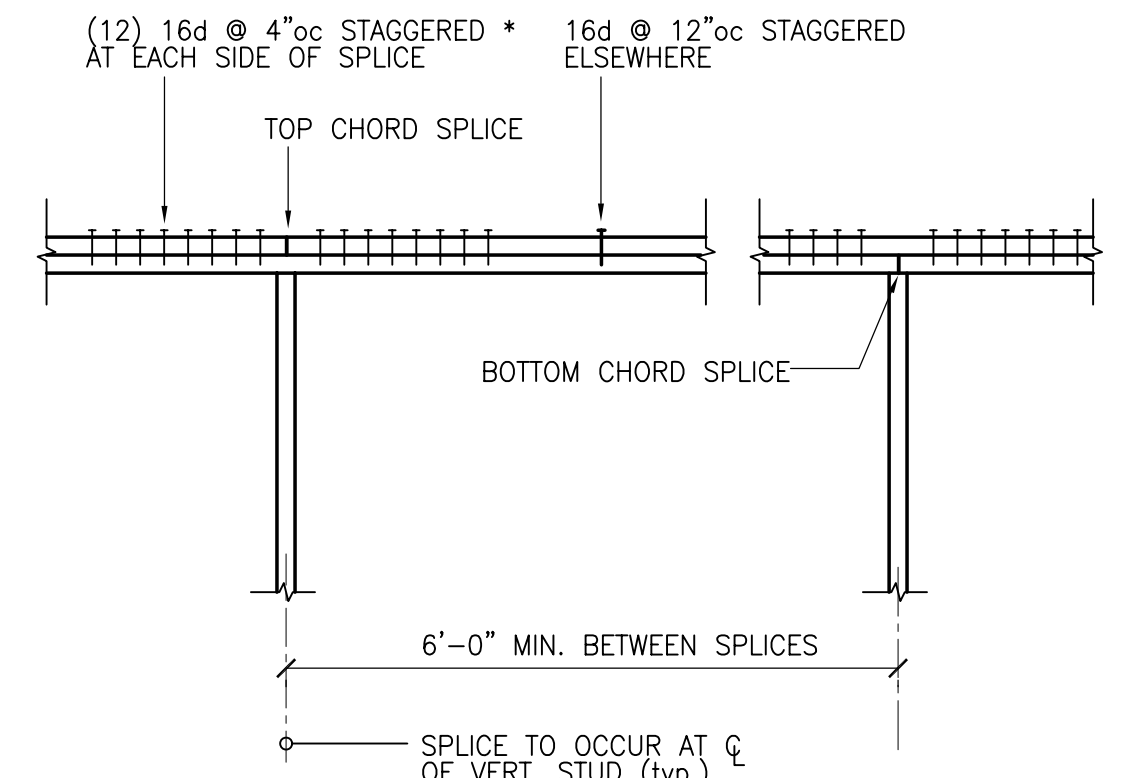


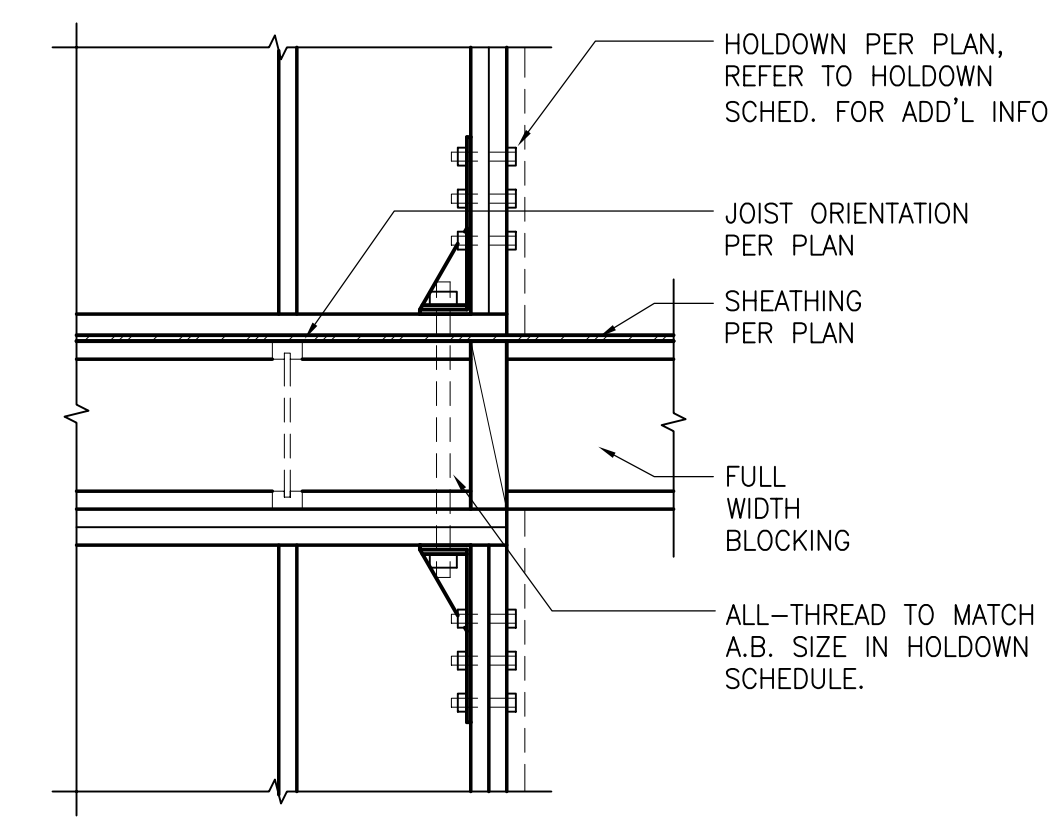
1 HEADER SUPPORT
SCALE = 3/4" = 1'-0"



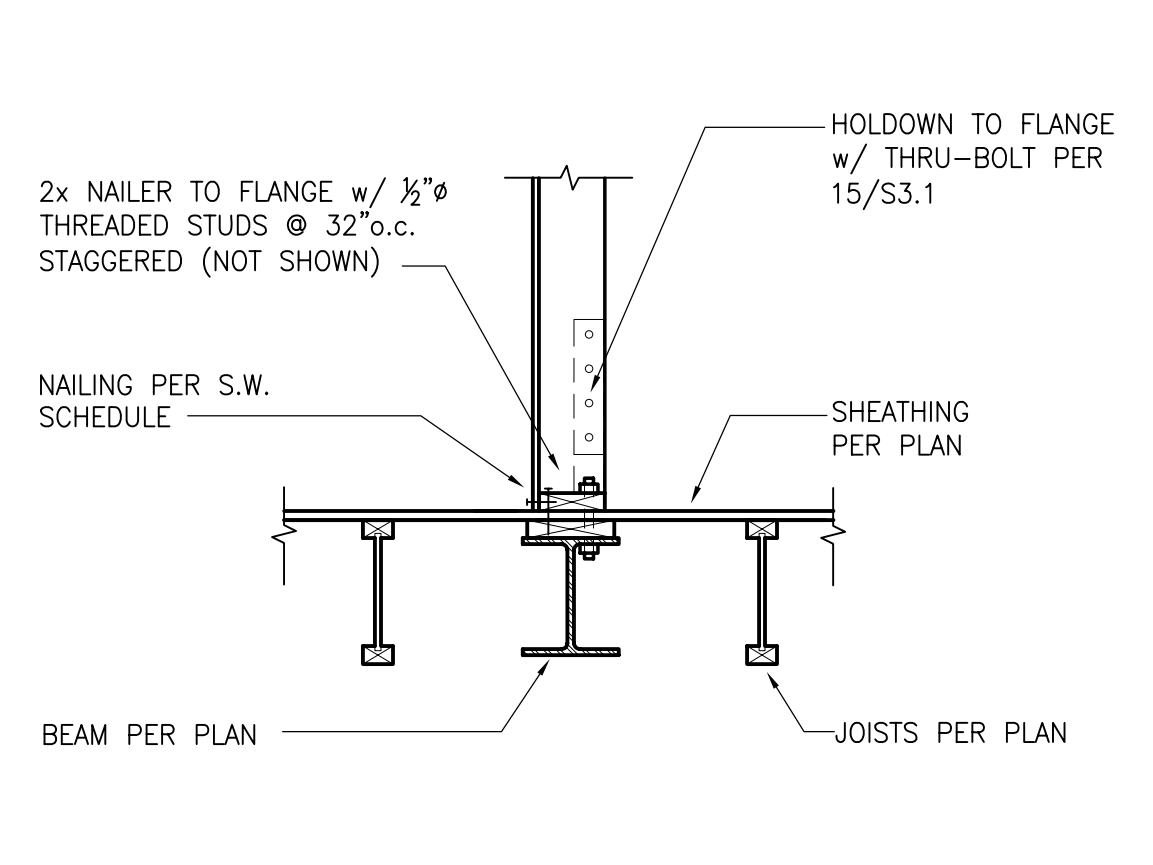
6 FORCE TRANSFER DETAIL
SCALE = 3/8" = 1'-0"



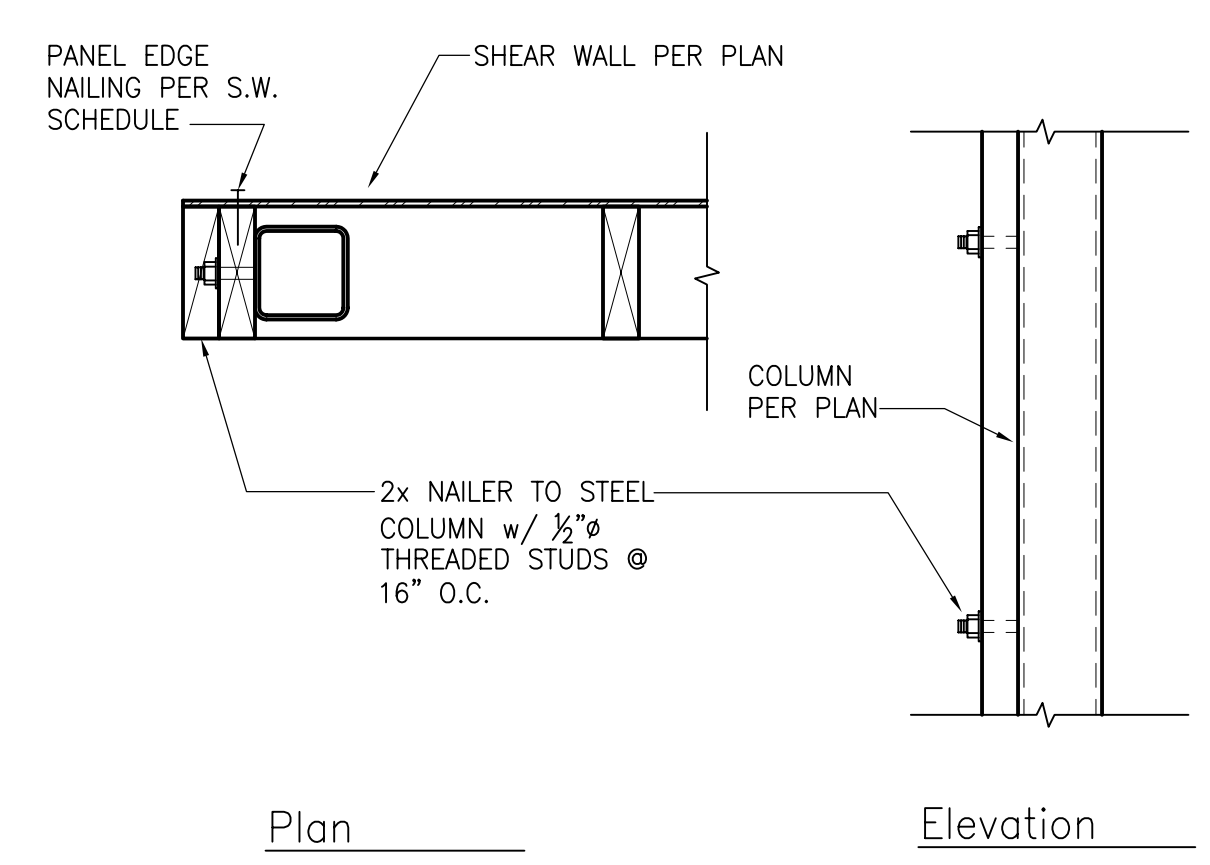
2 TOP PLATE SPLICE
SCALE = 3/4" = 1'-0"



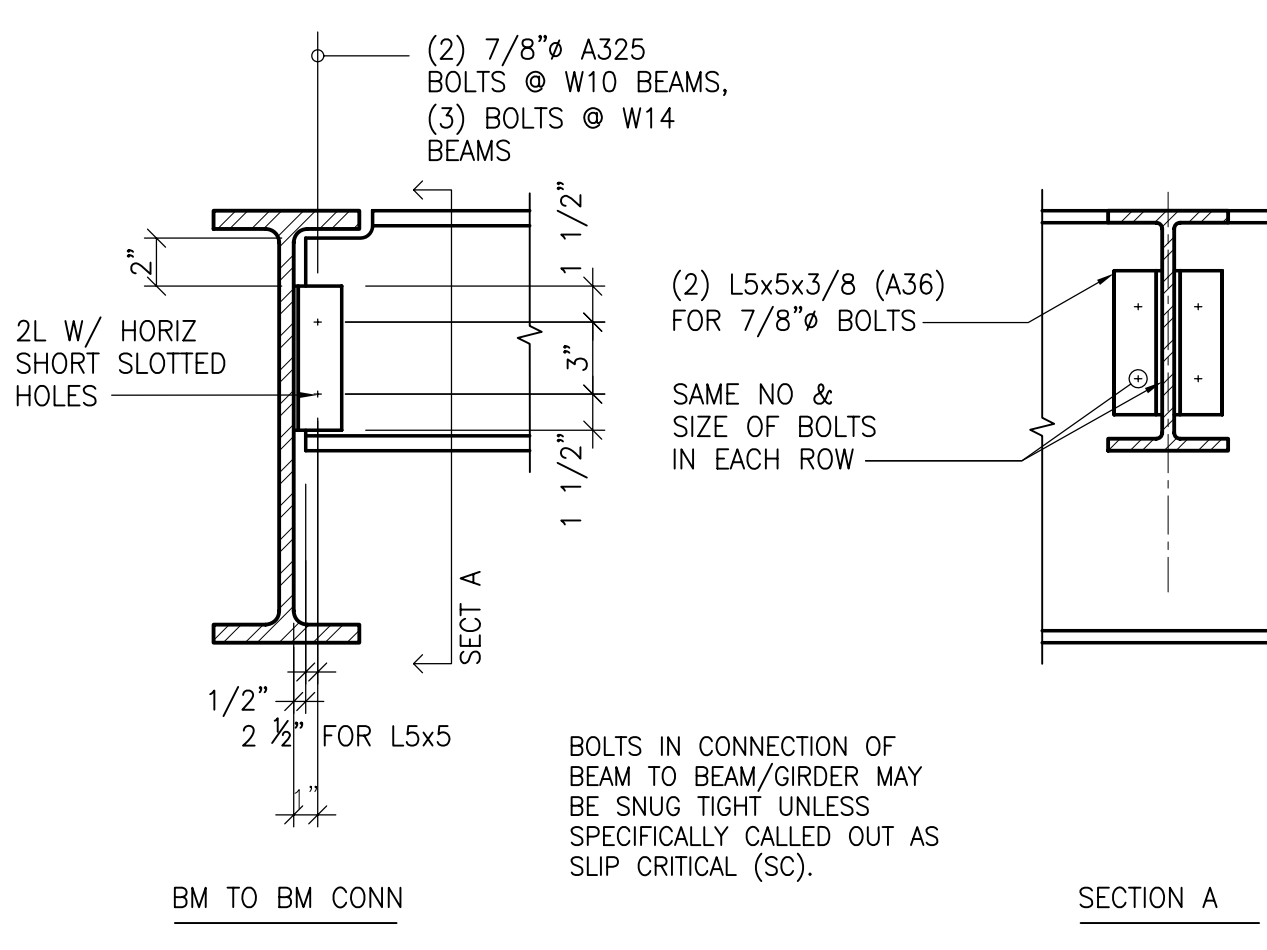
7 HOLDDOWN TO HOLDDOWN
SCALE = 3/4" = 1'-0"



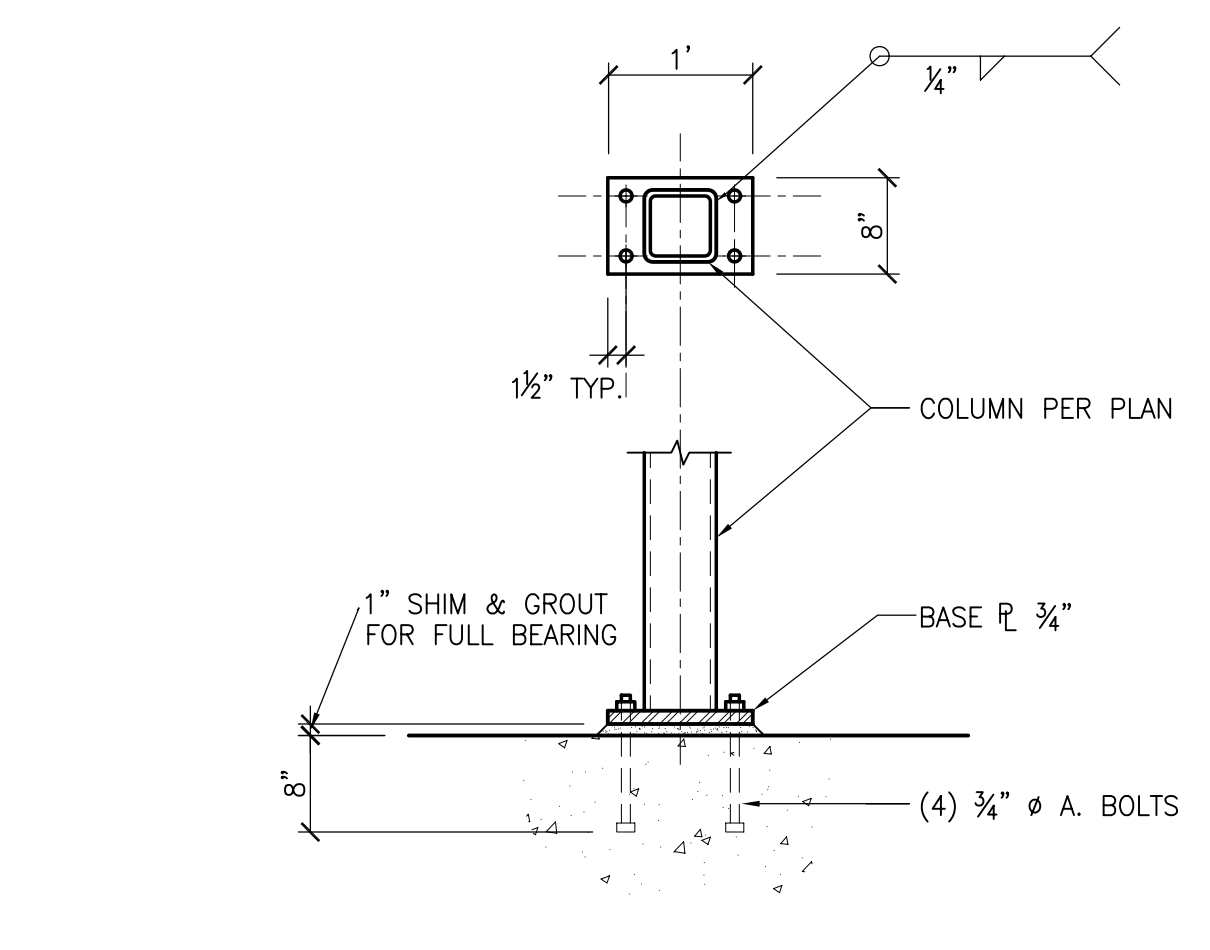
11 HOLDDOWN TO WIDE FLANGE DETAIL
SCALE = 3/4" = 1'-0"



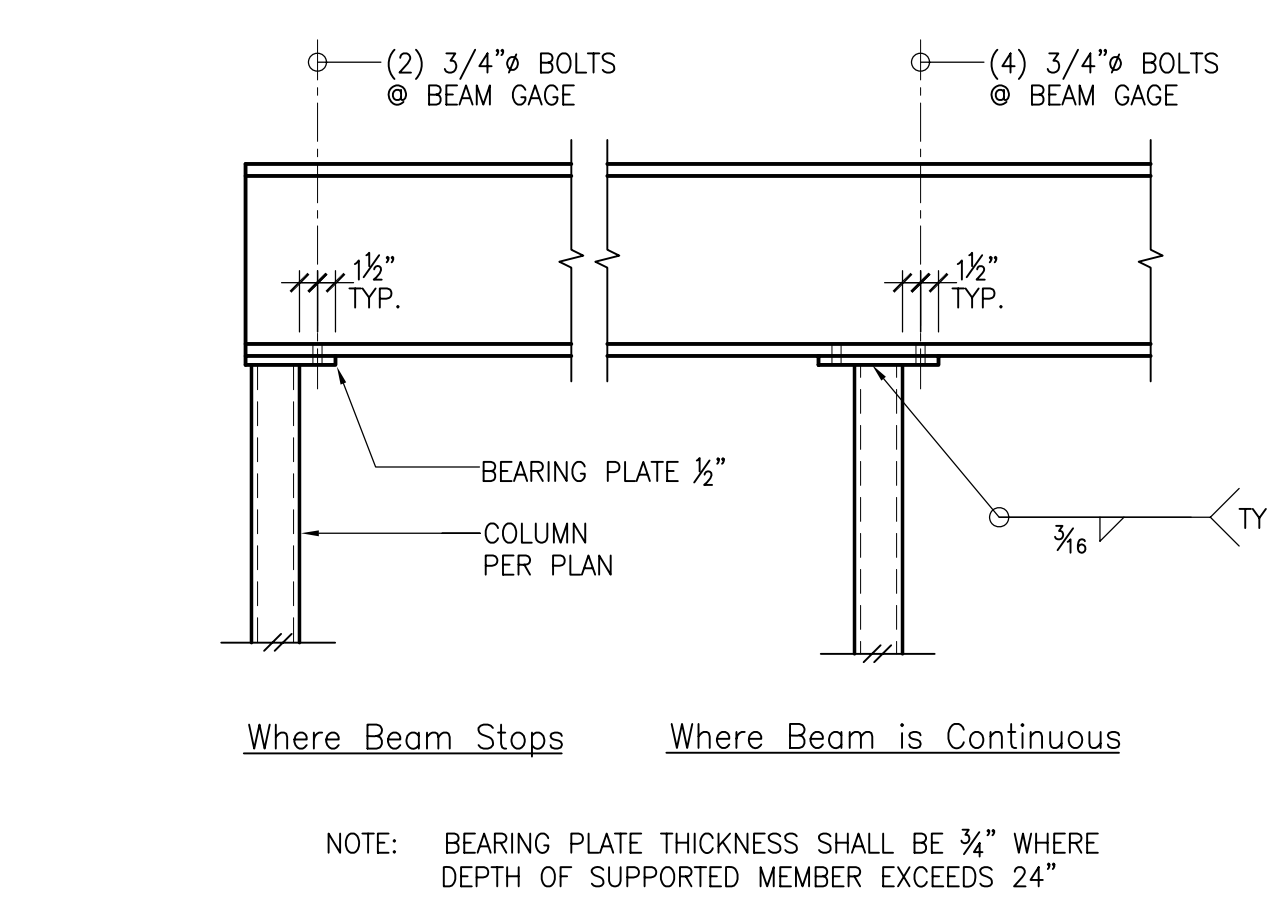
12 NAILER HSS COLUMN
SCALE = 1 1/2" = 1'-0"



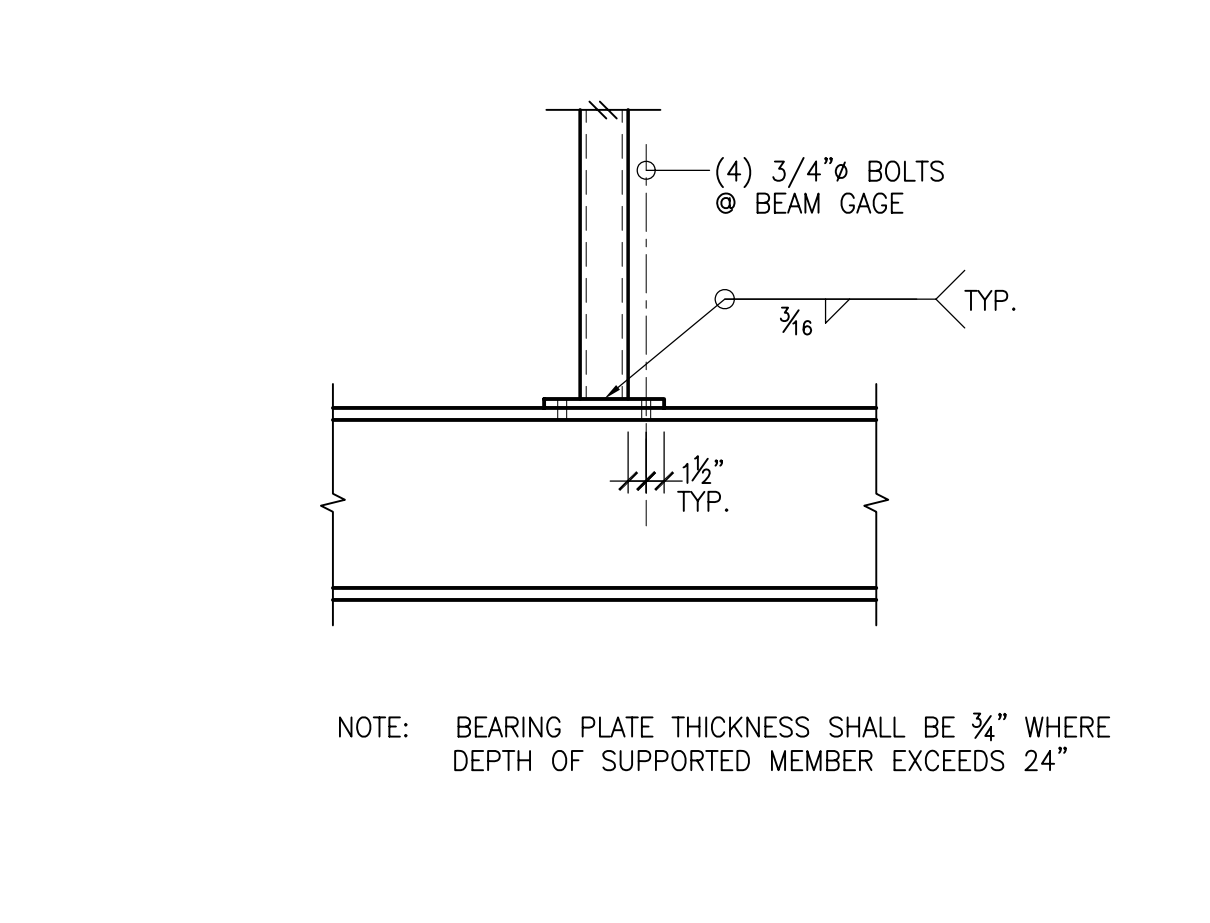
16 WF TO WF CONNECTION
SCALE = 1 1/2" = 1'-0"



17 HSS BASE PLATE
SCALE = 3/4" = 1'-0"

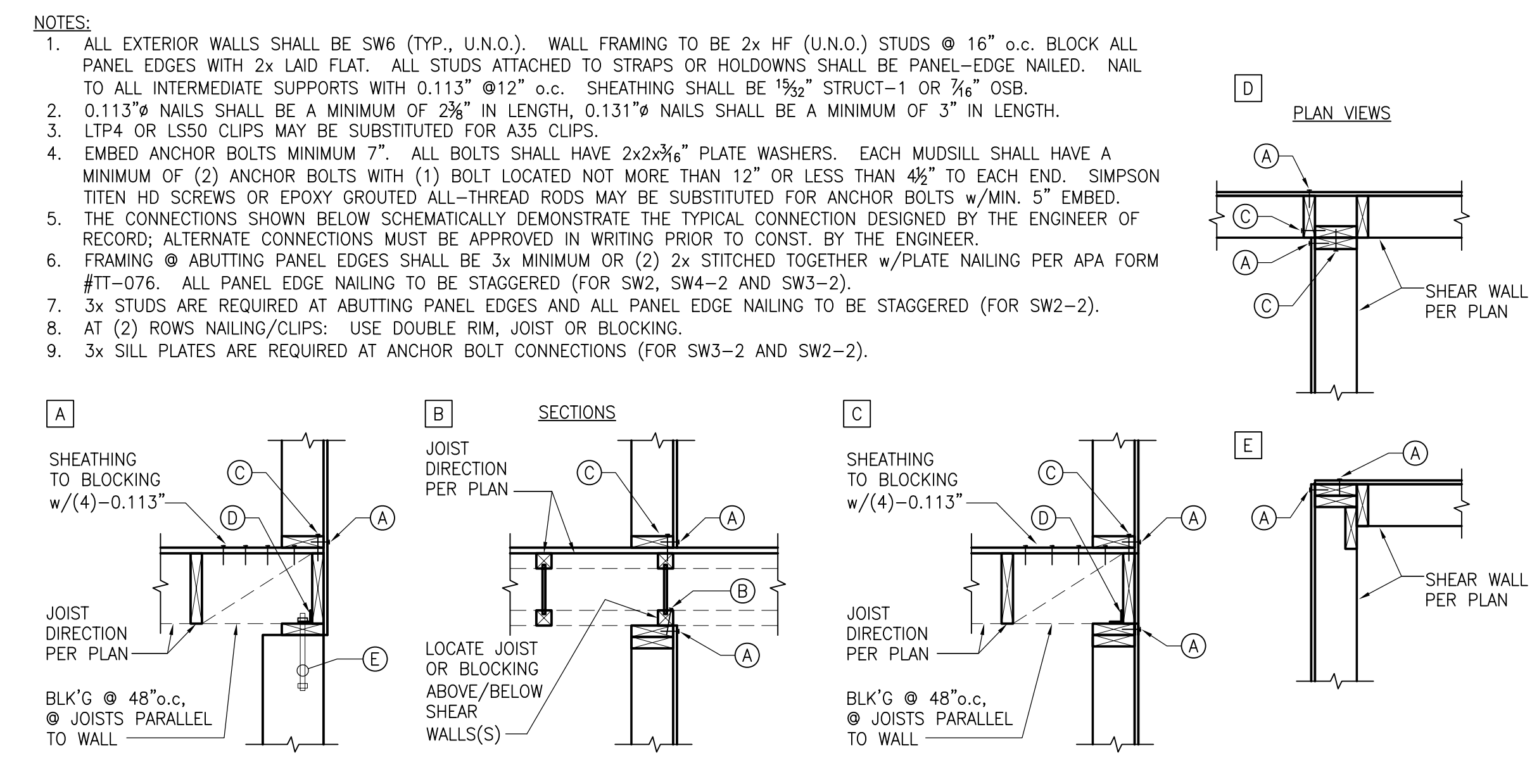


21 WF BEAM TO HSS COLUMN
SCALE = 3/4" = 1'-0"

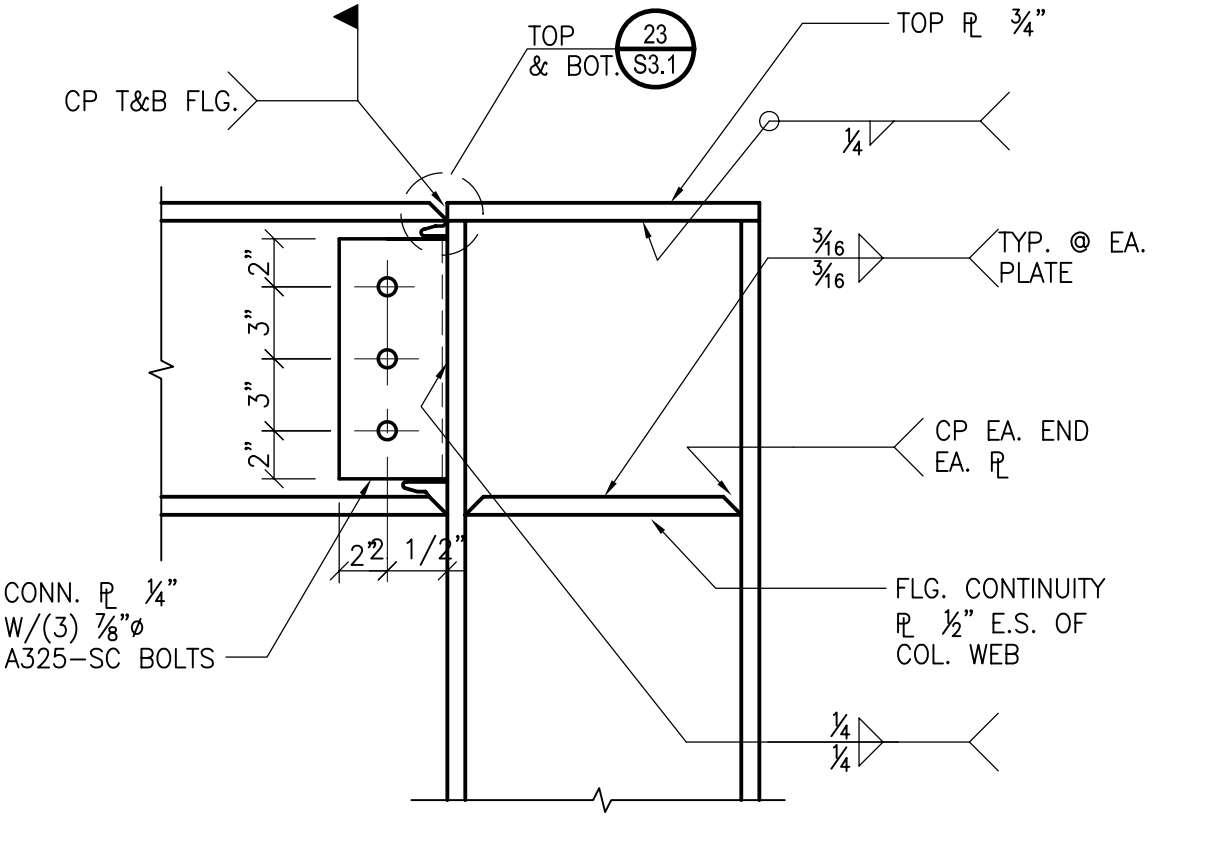


22 HSS COLUMN TO WF BEAM
SCALE = 3/4" = 1'-0"

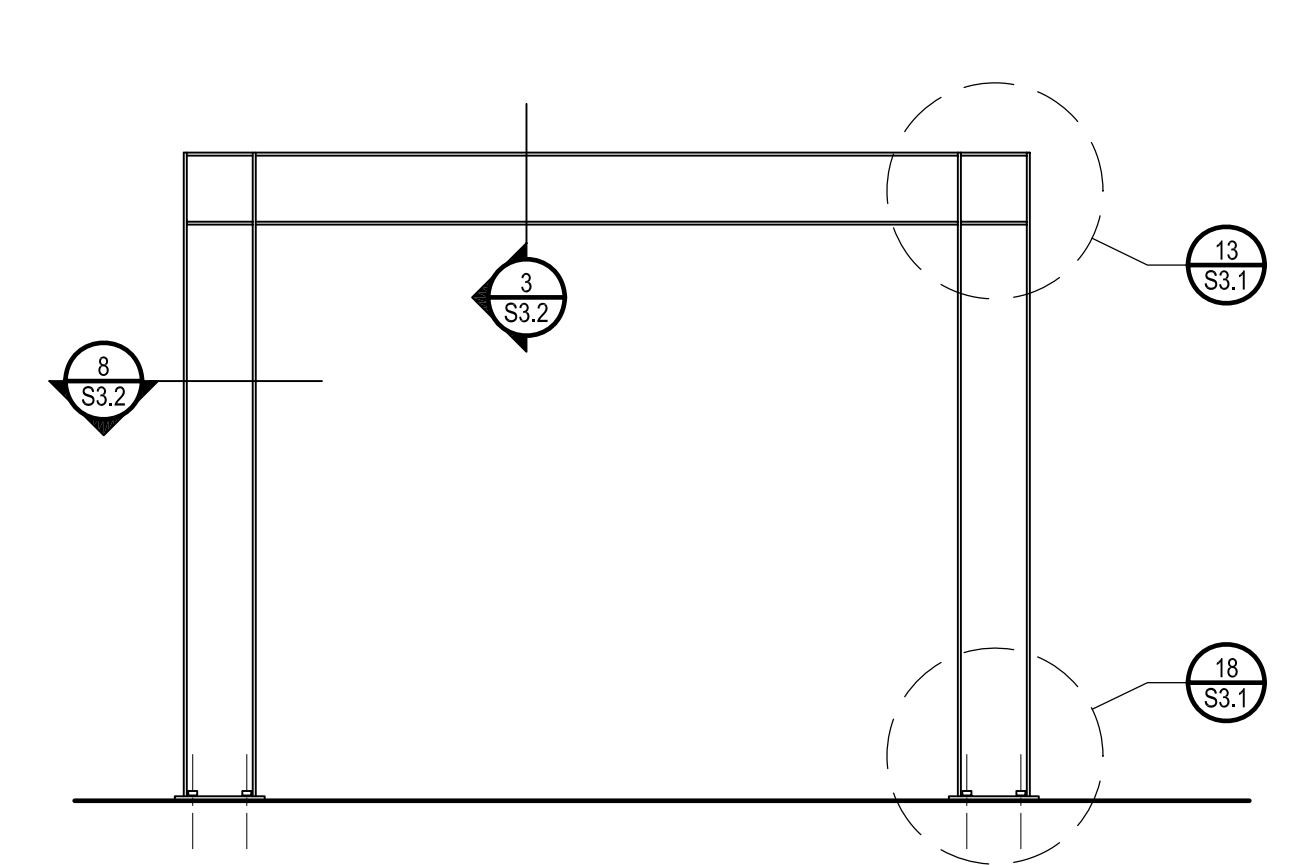
MARK	SHEATHING	PANEL EDGE NAILING (A)	TOP PLATE CONNECTION		BASE PLATE CONNECTION		MUDDILL TO CONCRETE (E)		CAPACITY (PLF)	
			1-JOIST/1-JOIST BLK'G TO TOP PLATE (B)	RM/BLOCKING TO WALL TOP PLATE (D)	BOTTOM PLATE TO RM/JOIST/BLK'G (C)	RM TO MUDDILL (D)	2x6 P.T.	3x6 P.T.	SEISMIC	WIND
SW6	1/2" PLYWOOD	0.113" @ 6" o.c.	0.131" @ 6" o.c.	A35 @ 20" o.c.	0.131" @ 6" o.c.	A35 @ 20" o.c.	3/8" A.B. @ 48" o.c.	3/8" A.B. @ 48" o.c.	205	270
SW4	1/2" PLYWOOD	0.113" @ 4" o.c.	0.131" @ 4" o.c.	A35 @ 12" o.c.	0.131" @ 4" o.c.	A35 @ 12" o.c.	3/8" A.B. @ 32" o.c.	3/8" A.B. @ 32" o.c.	302	405
SW3	1/2" PLYWOOD	0.113" @ 3" o.c.	0.131" @ 3" o.c.	A35 @ 10" o.c.	0.131" @ 3" o.c.	A35 @ 10" o.c.	3/8" A.B. @ 16" o.c.	3/8" A.B. @ 24" o.c.	405	540
SW2	1/2" PLYWOOD	0.113" @ 2" o.c.	(2) ROWS @ 0.131" @ 4" o.c.	A35 @ 7 1/2" o.c.	(2) ROWS @ 0.131" @ 4" o.c.	A35 @ 7 1/2" o.c.	3/8" A.B. @ 12" o.c.	3/8" A.B. @ 20" o.c.	516	720



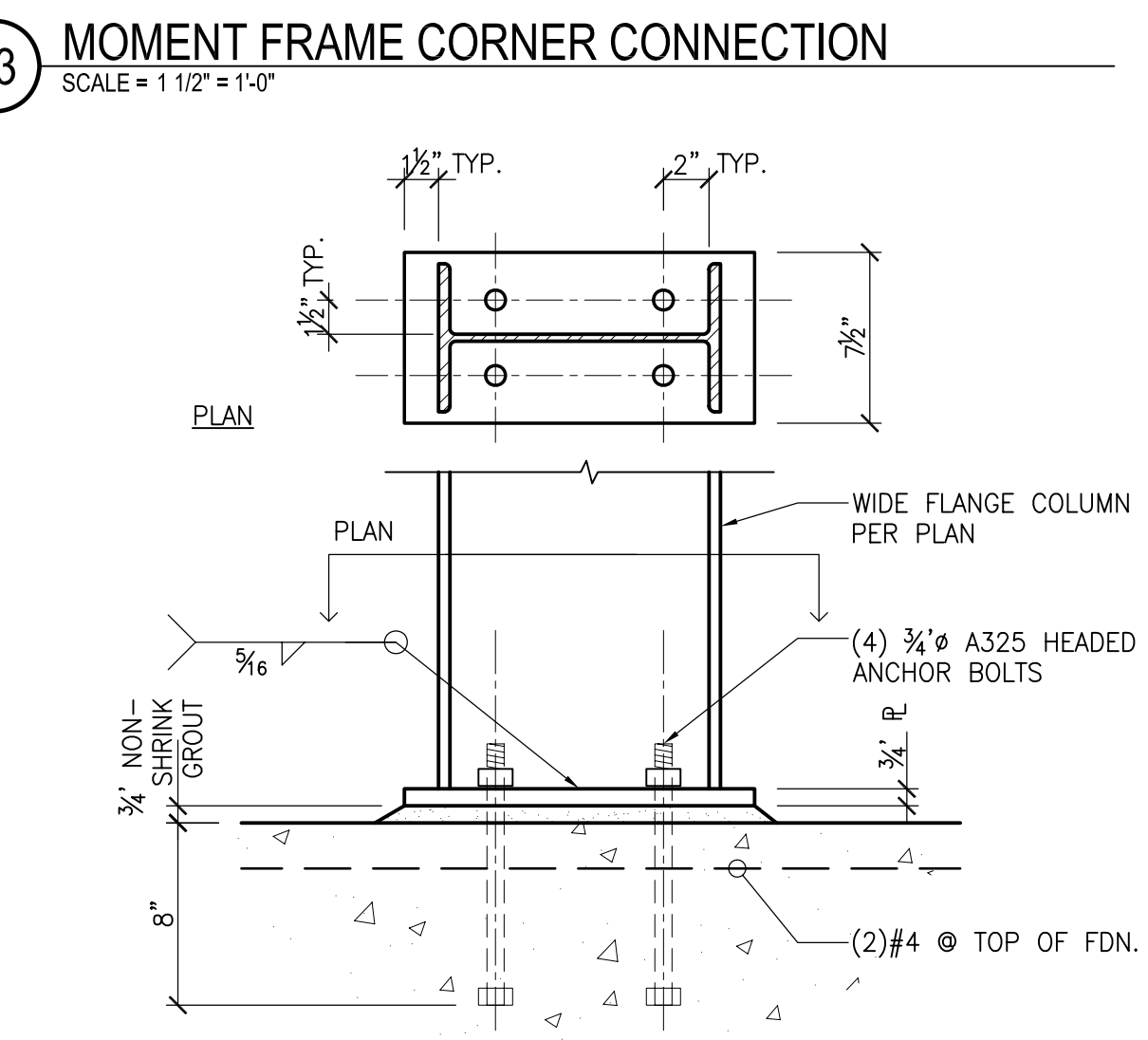
10 SHEAR WALL SCHEDULE
SCALE = N.T.S.



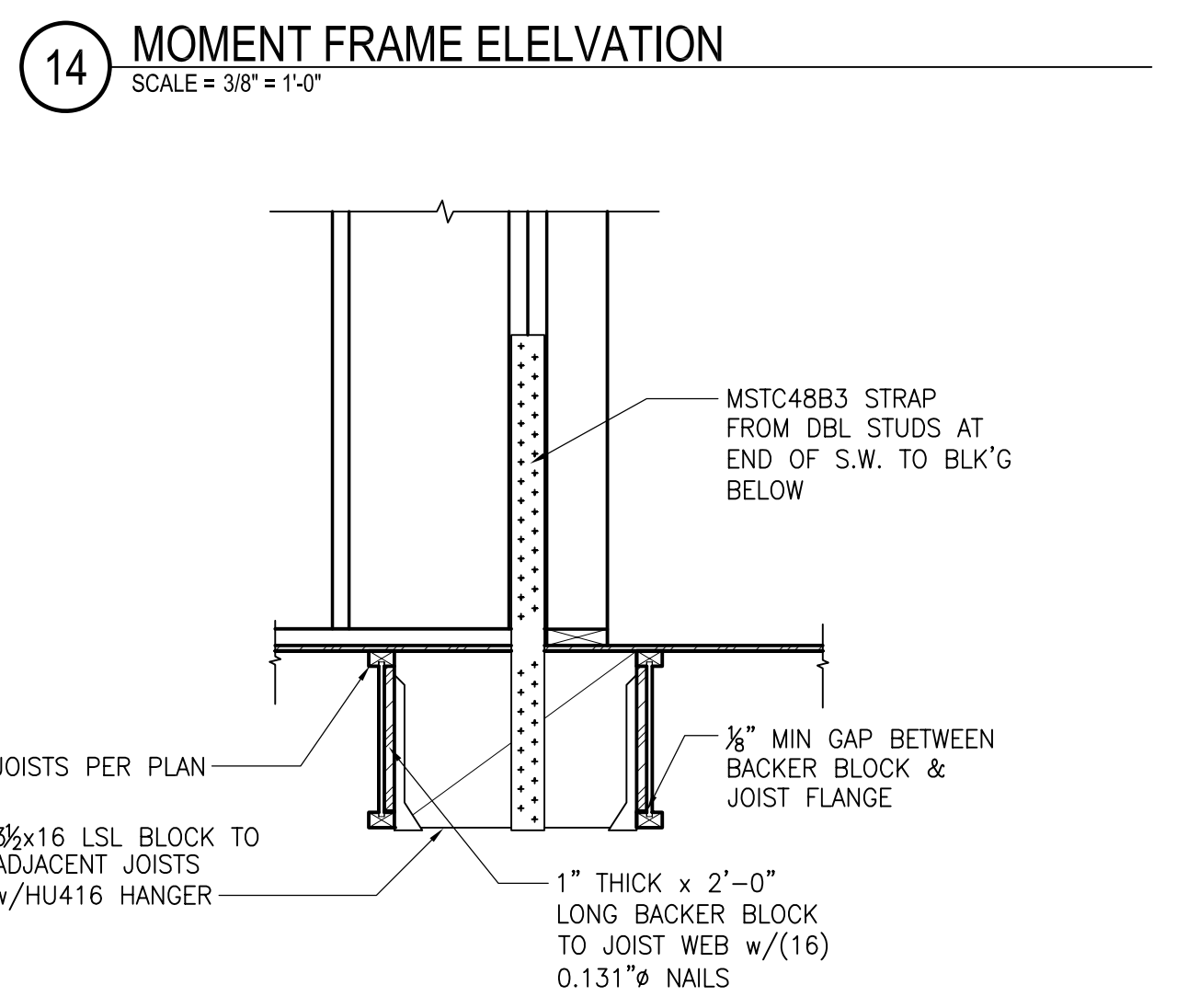
13 MOMENT FRAME CORNER CONNECTION
SCALE = 1 1/2" = 1'-0"



14 MOMENT FRAME ELEVATION
SCALE = 3/8" = 1'-0"



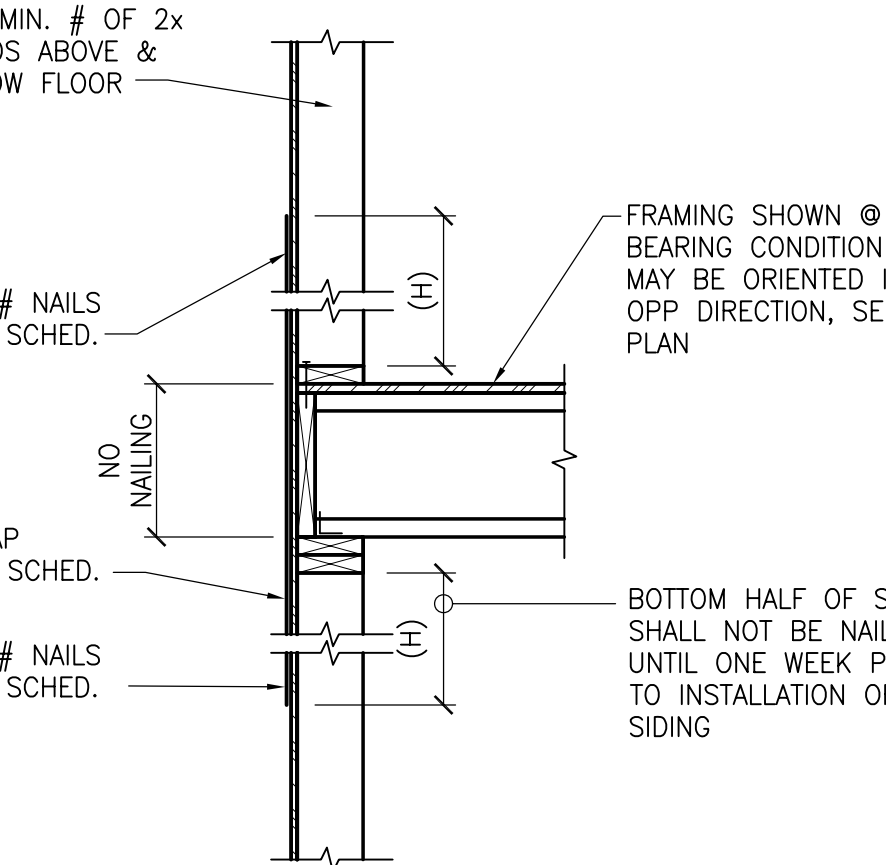
18 MOMENT FRAME BASE PLATE
SCALE = 1 1/2" = 1'-0"



19 STRAP TO BLOCKING
SCALE = 3/4" = 1'-0"

MARK	H	N	M	HF CAPACITY	
				SEISMIC	WIND
CS16	15"	(14) 0.131"	1	1,705#	
MSTC28	5"	(6) 0.131"	2	859#	
MSTC40	11"	(14) 0.131"	2	2,009#	
MSTC52	17"	(22) 0.131"	2	3,154#	
MSTC66	24"	(32) 0.131"	2	4,698#	

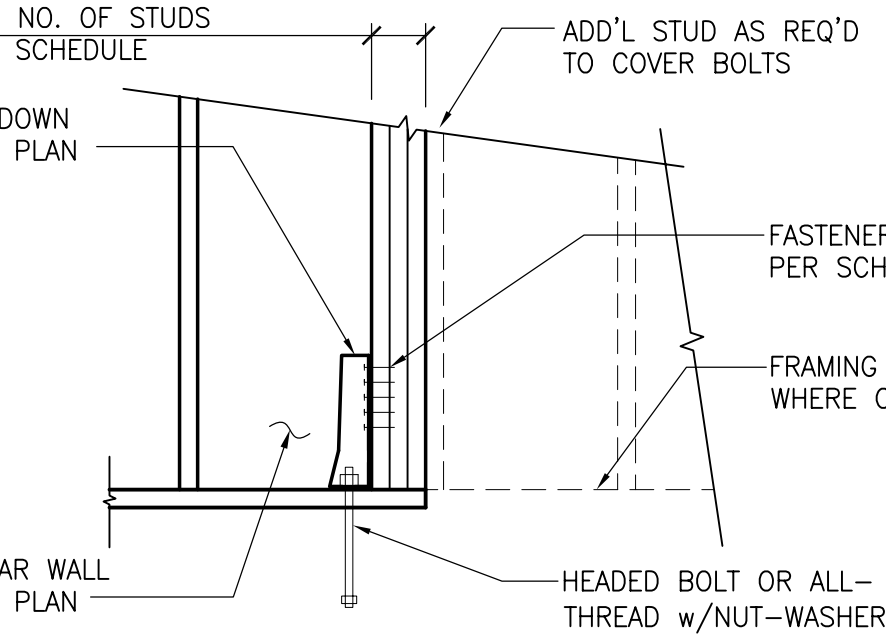
① MINIMUM NO. OF STUDS AT END OF WALL U.N.O. ON FRAMING PLANS.



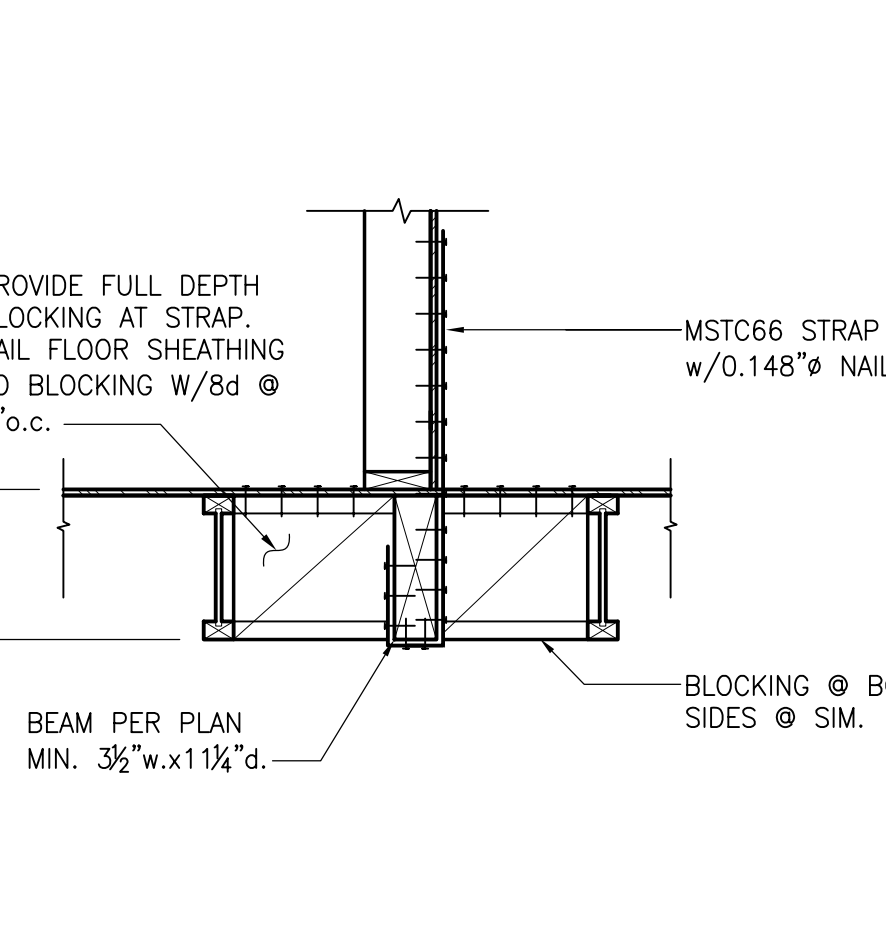
15 STRAP SCHEDULE
SCALE = 3/4" = 1'-0"

MARK	FASTENERS	ANCHOR ROD	EMBEDMENT	END STUDS ①	EDGE DISTANCE	HF CAPACITY
HDU5	(14) 1/2" LAG	3/8"	8"	2	2"	4,670#
HDU8	(20) 1/2" LAG	3/8"	12"	2	2 1/2"	7,180#
HDU11	(30) 1/2" LAG	1"	16"	4x DF	3"	11,140#
HHDQ14	(30) 1/2" LAG	1"	20"	4x DF	4"	14,700#

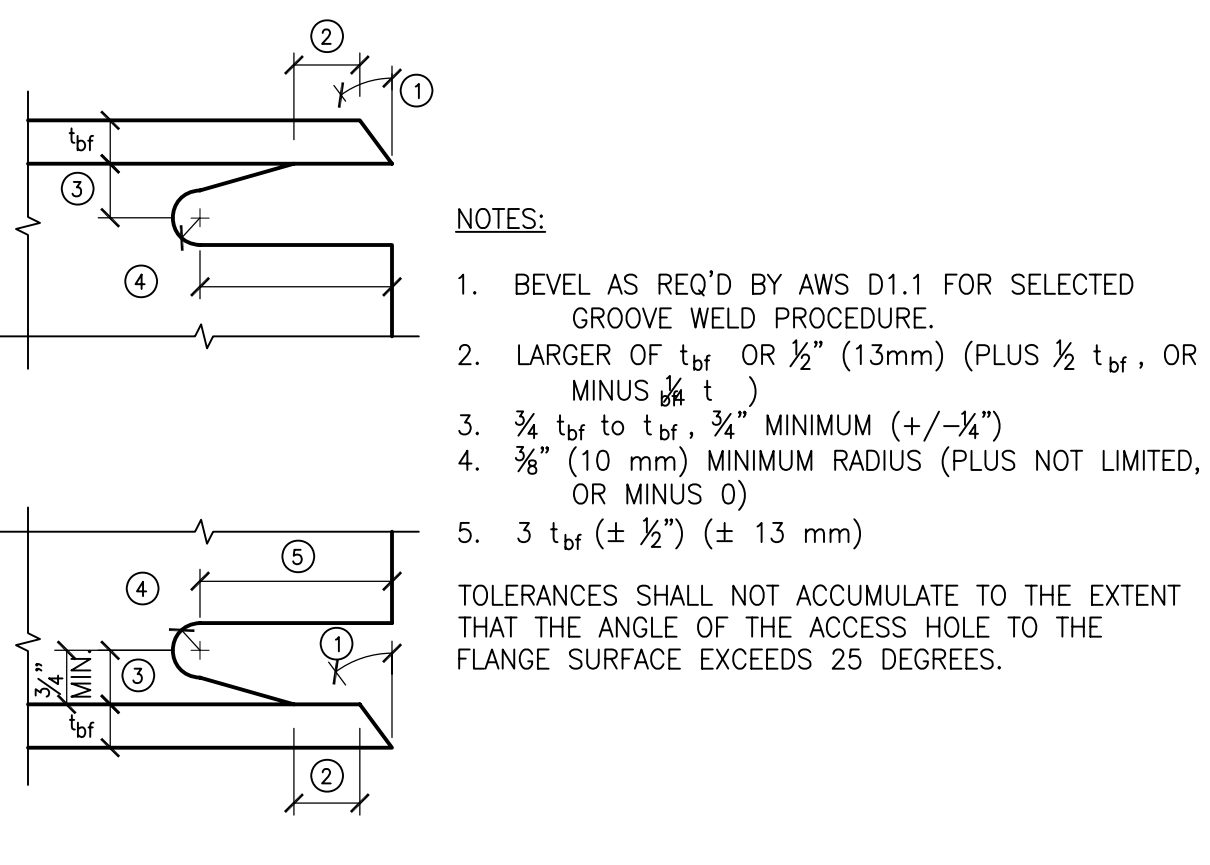
① MINIMUM NO. OF STUDS AT END OF WALL U.N.O. ON FRAMING PLANS.



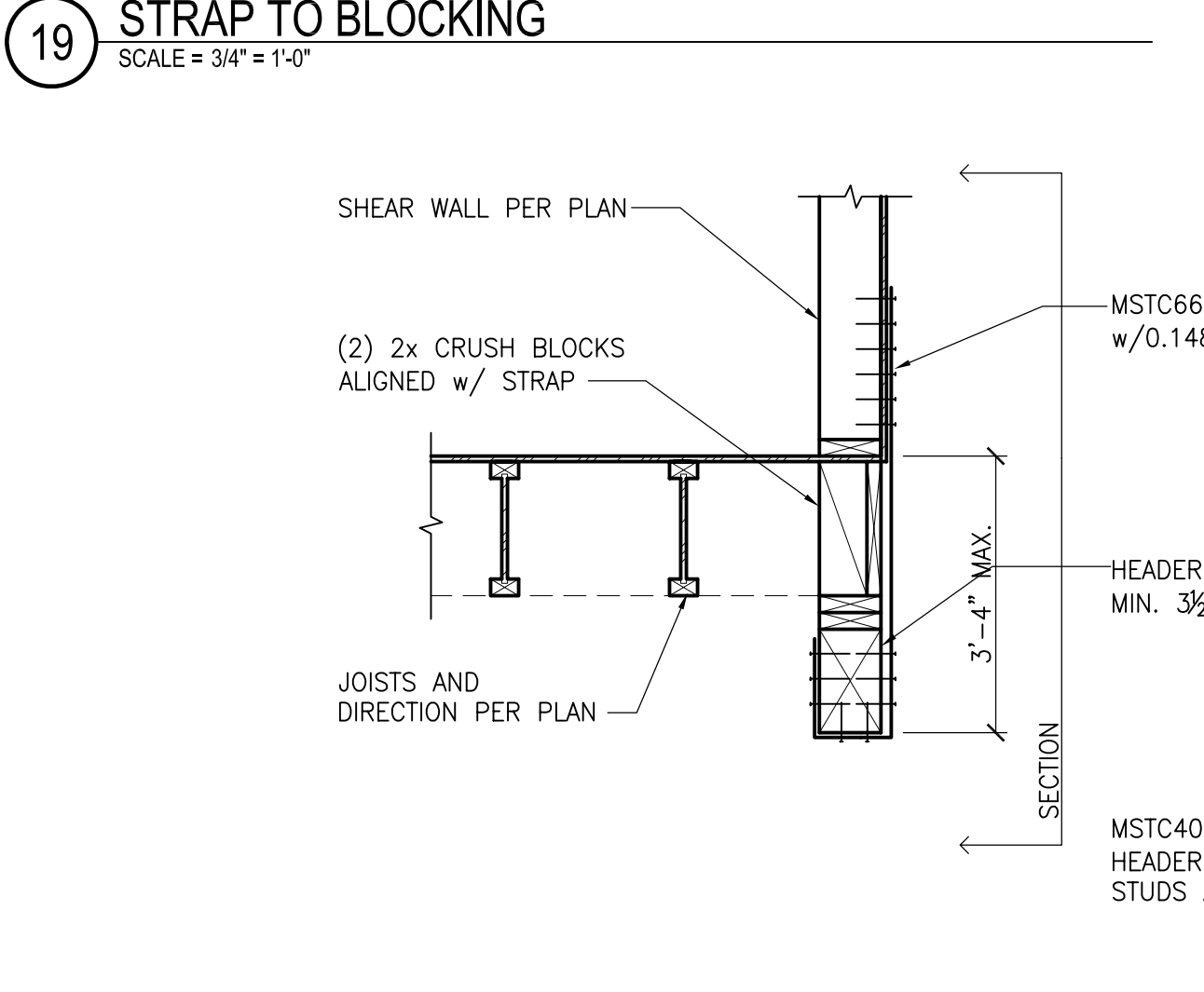
15 HOLDDOWN SCHEDULE
SCALE = N.T.S.



20 STRAP TO BEAM
SCALE = 3/4" = 1'-0"



23 MOMENT FRAME WELD ACCESS HOLE
SCALE = 1 1/2" = 1'-0"



25 STRAP TO HEADER
SCALE = 3/4" = 1'-0"

Peter A. Opsahl
Structural Engineering, Inc.
514 15th Avenue East, Suite 207
Seattle, Washington 98112
Phone: 206.322.4518
Fax: 206.322.4538
www.paostructural.com

REGISTERED PROFESSIONAL ENGINEER
EXPIRES 12-31-2025

CURTIS GELOTTE
Architects

SULLIVAN RESIDENCE

ISSAQUAH HIGHLANDS
GRAND RIDGE DRIVE, LOT 5

DETAILS

DATE: 10-12-2007
JOB NUMBER: 017-16-00
FILE:
SHEET NO: S3.1

PERMIT SET