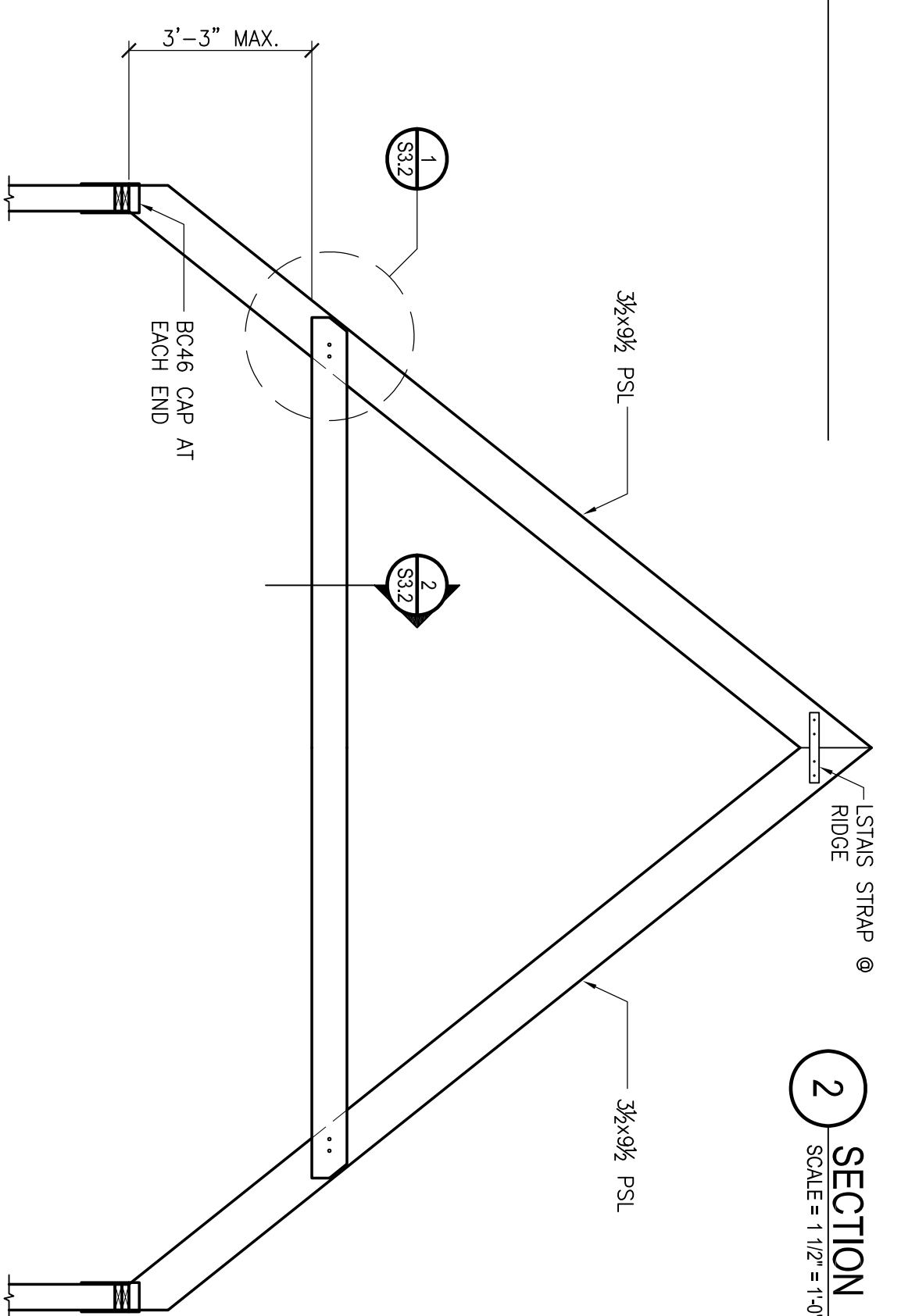


1 DETAIL
SCALE = 1 1/2" = 1'-0"

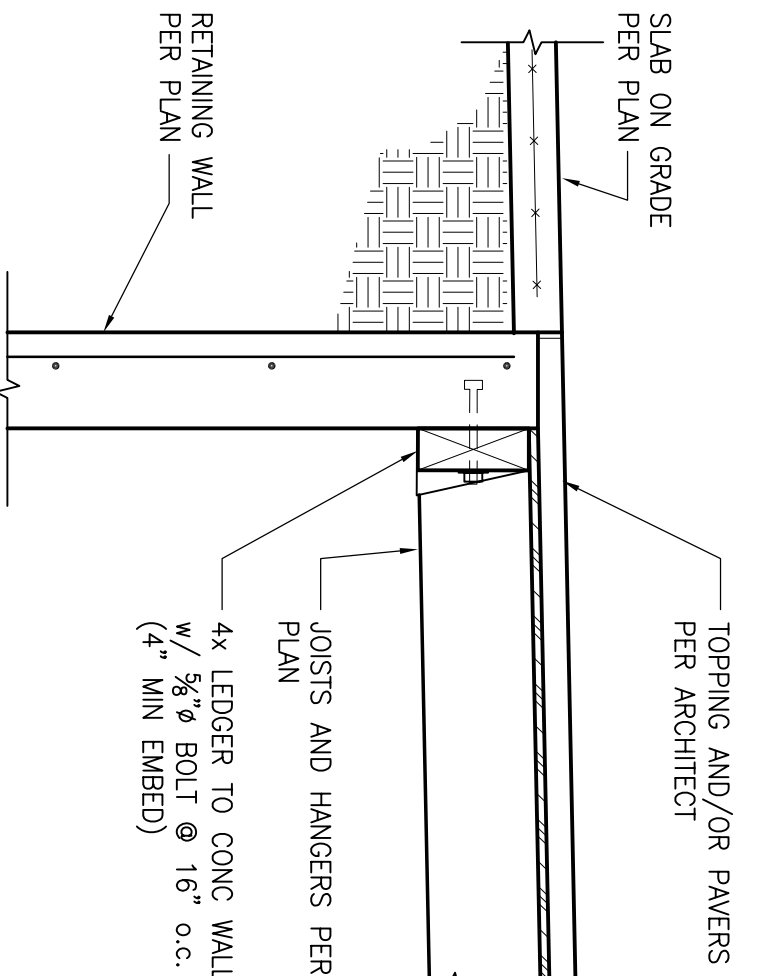
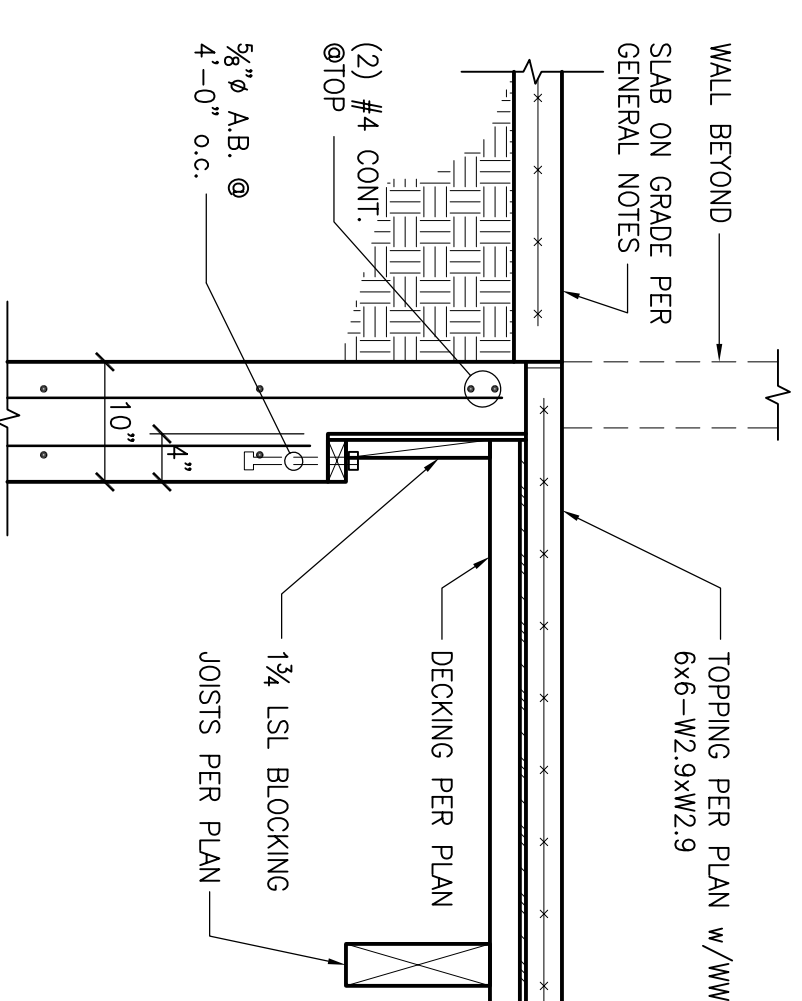
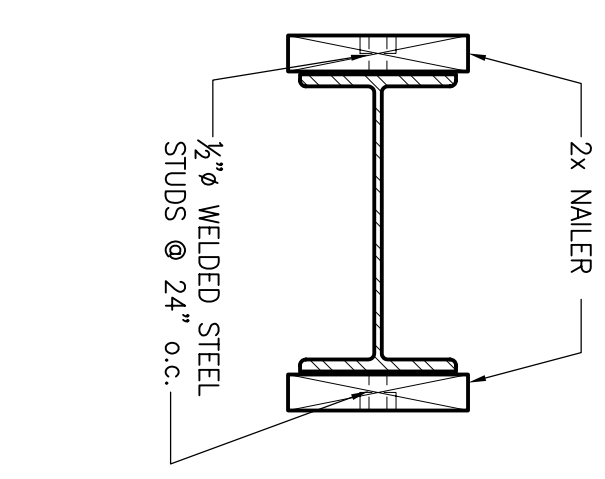
2 SECTION
SCALE = 1 1/2" = 1'-0"

3 MOMENT FRAME COLUMN NAILER
SCALE = 3/4" = 1'-0"

5 TENSION TIE @ FOUNDATION
SCALE = 3/4" = 1'-0"



4 MOMENT FRAME COLUMN NAILER
SCALE = 1 1/2" = 1'-0"

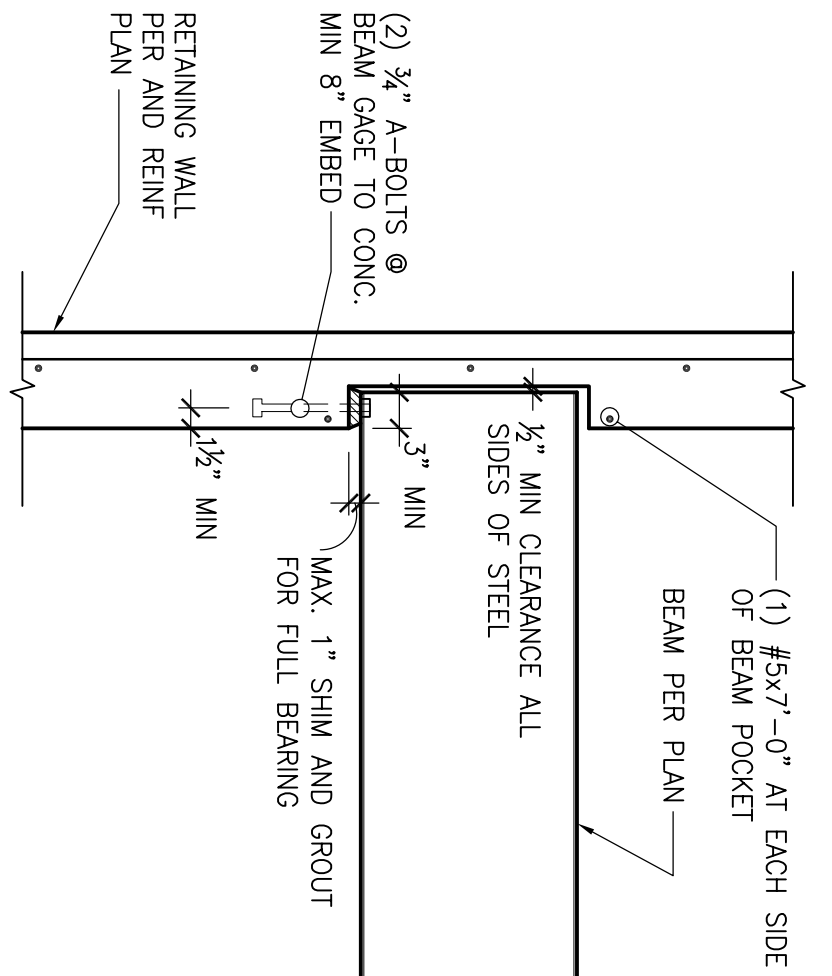
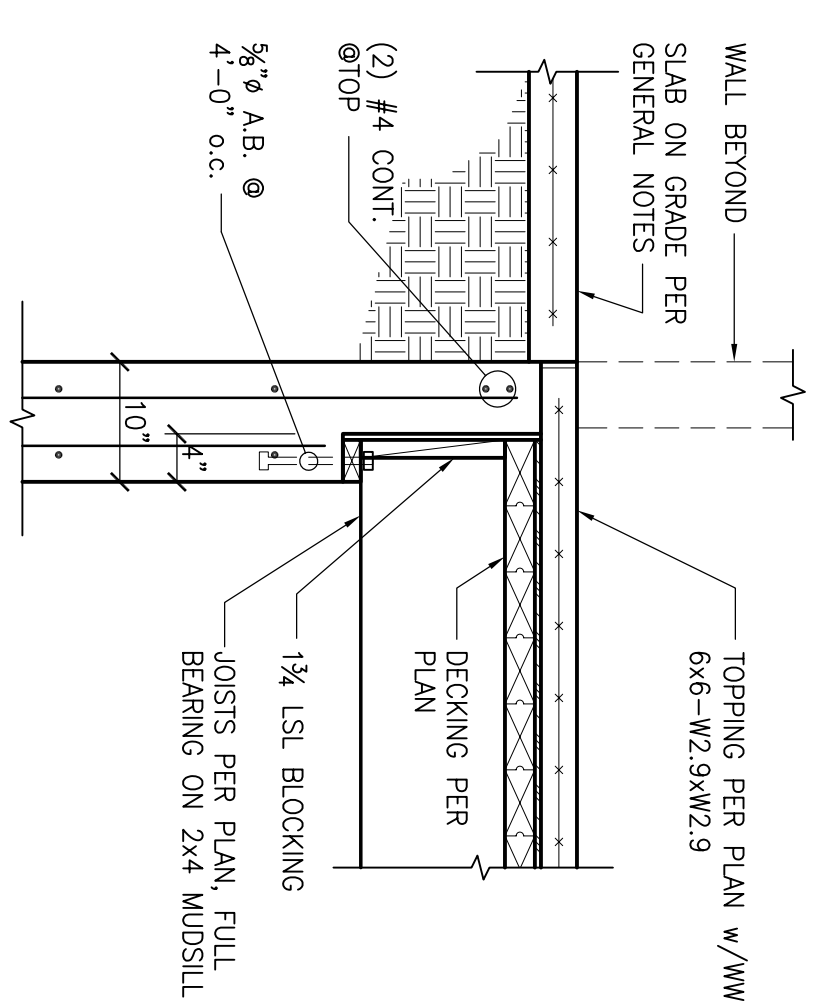
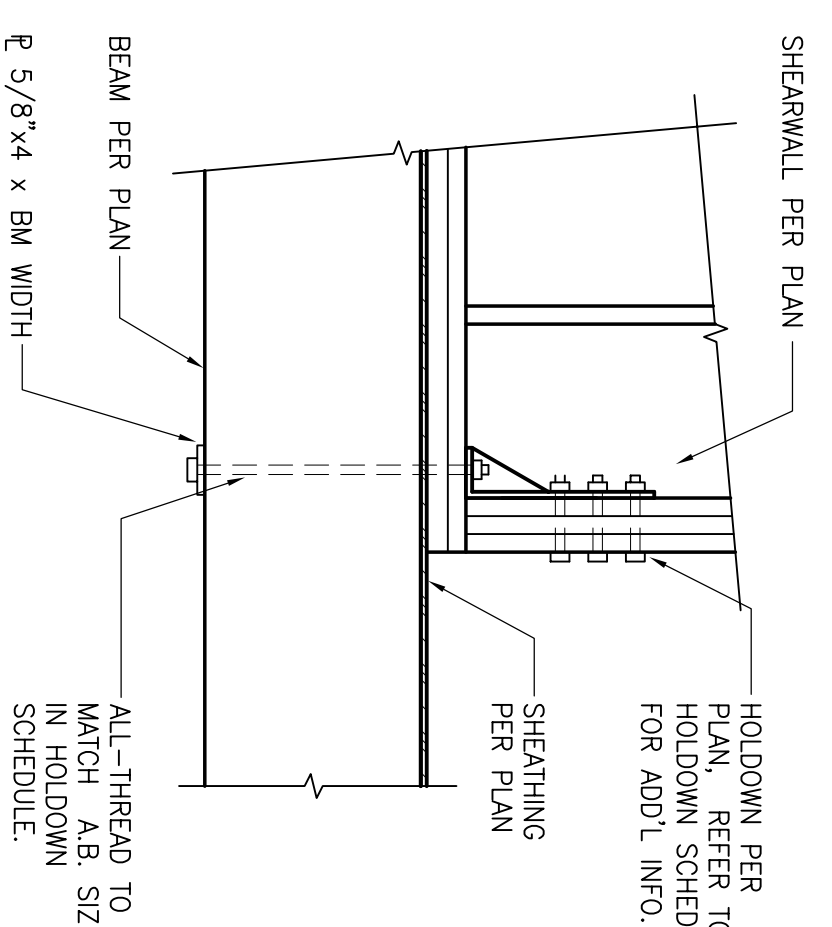


7 TRUSS DETAIL
SCALE = 3/4" = 1'-0"

4 MOMENT FRAME COLUMN NAILER
SCALE = 1 1/2" = 1'-0"

9 TJI PARALLEL @ FOUNDATION
SCALE = 3/4" = 1'-0"

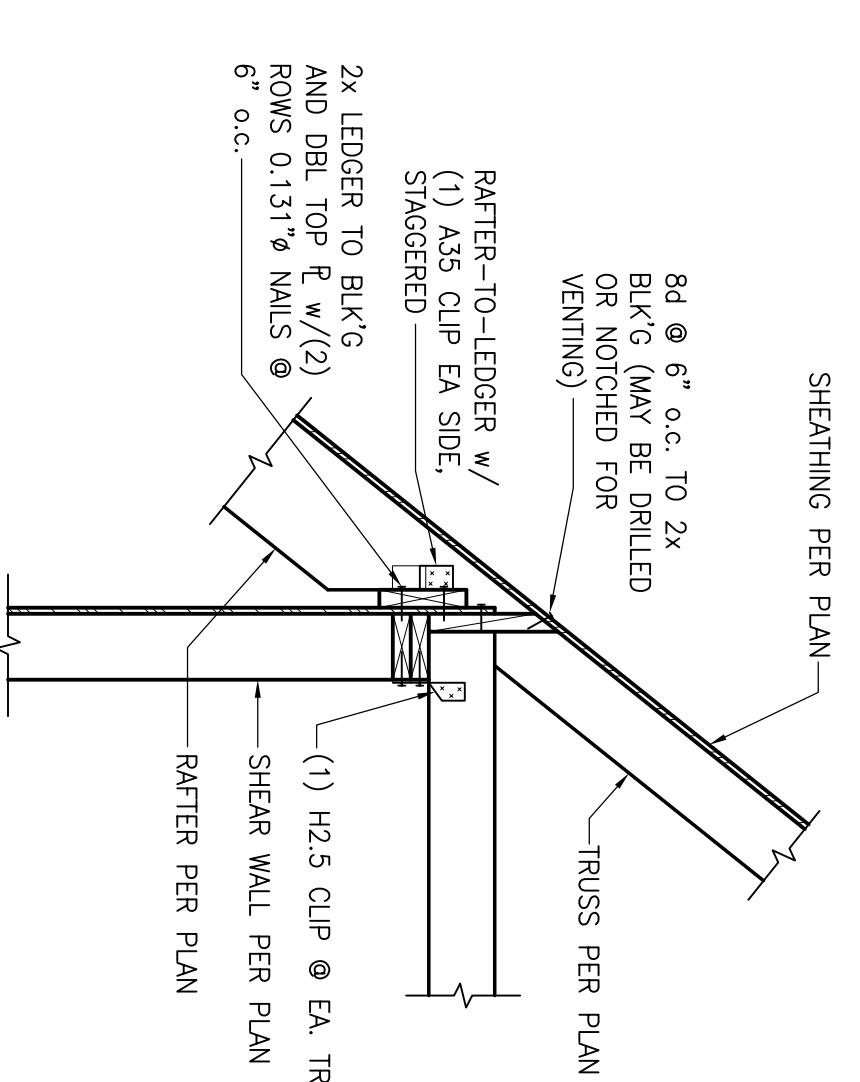
10 COVERED PATIO FLOOR FRAMING
SCALE = 3/4" = 1'-0"



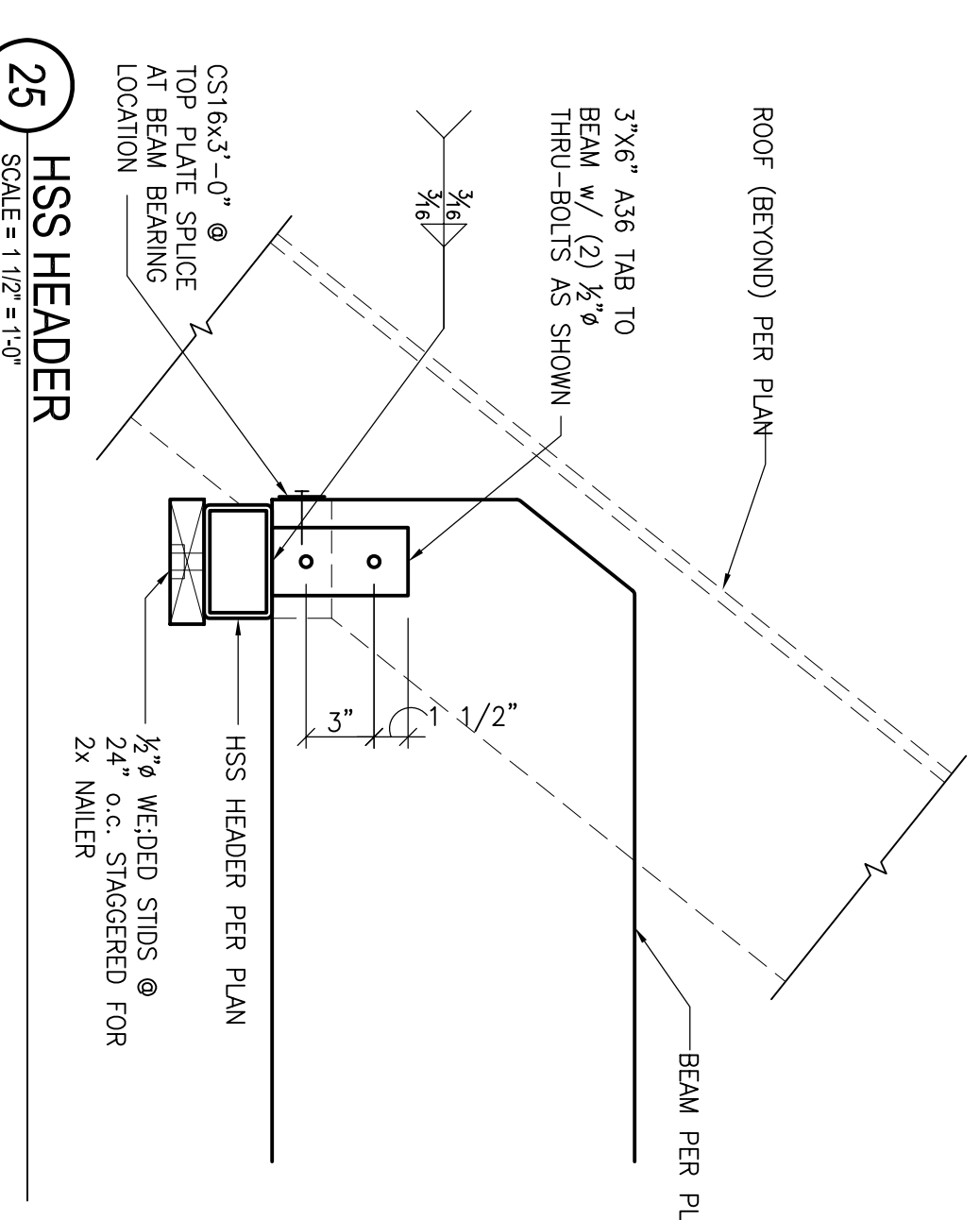
13 HOLDDOWN TO BEAM
SCALE = 3/4" = 1'-0"

14 TJI PERPENDICULAR @ FOUNDATION
SCALE = 3/4" = 1'-0"

15 BEAM POCKET
SCALE = 3/4" = 1'-0"



20 HIGH-TO-LOW ROOF TRANSITION
SCALE = 3/4" = 1'-0"



25 HSS HEADER
SCALE = 1 1/2" = 1'-0"



Peter A. Opsahl
Structural Engineering, Inc.
190 Lake St. S.
Grand Ridge, WI 54939
Phone: 262.333.4518
Fax: 262.333.4518
www.peteraopsahl.com

CURTIS GERLOTTE
ARCHITECTS

NO. DATE REVISION

190 Lake St. S.
Grand Ridge, WI 54939
Phone: 262.333.4518
Fax: 262.333.4518
www.peteraopsahl.com

SULLIVAN RESIDENCE

ISSUANT/HIGHLANDS
GRAND RIDGE DRIVE, LOT 5

DETAILS

DATE: 10-12-2007
JOB NUMBER: 017-16-00
FILE: -
SHEET NO: **S3.2**